



HE604070XB

EN User manual



 **AEG**  
perfekt in form und funktion

## CONTENTS

1. SAFETY INFORMATION .....	3
2. SAFETY INSTRUCTIONS .....	4
3. PRODUCT DESCRIPTION .....	6
4. DAILY USE .....	6
5. HELPFUL HINTS AND TIPS .....	6
6. CARE AND CLEANING .....	7
7. TROUBLESHOOTING .....	7
8. INSTALLATION .....	8
9. TECHNICAL INFORMATION .....	8

## FOR PERFECT RESULTS

Thank you for choosing this AEG product. We have created it to give you impeccable performance for many years, with innovative technologies that help make life simpler – features you might not find on ordinary appliances. Please spend a few minutes reading to get the very best from it.

### Visit our website for:



Get usage advice, brochures, trouble shooter, service information:  
**[www.aeg.com](http://www.aeg.com)**



Register your product for better service:  
**[www.aeg.com/productregistration](http://www.aeg.com/productregistration)**



Buy Accessories, Consumables and Original spare parts for your appliance:  
**[www.aeg.com/shop](http://www.aeg.com/shop)**

## CUSTOMER CARE AND SERVICE

We recommend the use of original spare parts.  
When contacting Service, ensure that you have the following data available.  
The information can be found on the rating plate. Model, PNC, Serial Number.



Warning / Caution-Safety information



General information and tips



Environmental information

Subject to change without notice.

# 1. SAFETY INFORMATION

Before the installation and use of the appliance, carefully read the supplied instructions. The manufacturer is not responsible if an incorrect installation and use causes injuries and damages. Always keep the instructions with the appliance for future reference.

## 1.1 Children and vulnerable people safety



### **WARNING!**

Risk of suffocation, injury or permanent disability.

- This appliance can be used by children aged from 8 years and above and persons with reduced physical, sensory or mental capabilities or lack of experience and knowledge if they are supervised by an adult or a person who is responsible for their safety.
- Do not let children play with the appliance.
- Keep all packaging away from children.
- Keep children and pets away from the appliance when it operates or when it cools down. Accessible parts are hot.
- If the appliance has a child safety device, we recommend that you activate it.
- Cleaning and user maintenance shall not be made by children without supervision.

## 1.2 General Safety

- The appliance and its accessible parts become hot during use. Do not touch the heating elements.
- Do not operate the appliance by means of an external timer or separate remote-control system.
- Unattended cooking on a hob with fat or oil can be dangerous and may result in fire.

- Never try to extinguish a fire with water, but switch off the appliance and then cover flame e.g. with a lid or a fire blanket.
- Do not store items on the cooking surfaces.
- Do not use a steam cleaner to clean the appliance.
- Metallic objects such as knives, forks, spoons and lids should not be placed on the hob surface since they can get hot.
- If the glass ceramic surface is cracked, switch off the appliance to avoid the possibility of electric shock.

## 2. SAFETY INSTRUCTIONS

### 2.1 Installation



#### **WARNING!**

Only a qualified person must install this appliance.

- Remove all the packaging.
- Do not install or use a damaged appliance.
- Obey the installation instruction supplied with the appliance.
- Keep the minimum distance from the other appliances and units.
- Always be careful when you move the appliance because it is heavy. Always wear safety gloves.
- Seal the cut surfaces with a sealant to prevent moisture to cause swelling.
- Protect the bottom of the appliance from steam and moisture.
- Do not install the appliance adjacent to a door or under a window. This prevents hot cookware to fall from the appliance when the door or the window is opened.
- If the appliance is installed above drawers make sure that the space, between the bottom of the appliance and the upper drawer, is sufficient for air circulation.
- The bottom of the appliance can get hot. We recommend to install a non-

combustible separation panel under the appliance to prevent access to the bottom.

### Electrical connection



#### **WARNING!**

Risk of fire and electrical shock.

- All electrical connections should be made by a qualified electrician.
- Before connecting the hob to an oven and before every wiring make sure the main terminals of both appliances are not live.
- Make sure the appliance is installed correctly. Loose and incorrect plug and socket can make the terminal become too hot.
- Make sure that a shock protection is installed.
- Do not let the electricity bonds touch the appliance or hot cookware, when you connect the appliance to the near sockets.
- Do not let the electricity bonds tangle.
- Use a strain relief clamp on cable.
- Use the correct mains cable.
- Make sure not to cause damage to the mains plug and to the mains cable. Contact the Service or an electrician to change a damaged mains cable.

- The electrical installation must have an isolation device which lets you disconnect the appliance from the mains at all poles. The isolation device must have a contact opening width of minimum 3 mm.
- Use only correct isolation devices: line protecting cut-outs, fuses (screw type fuses removed from the holder), earth leakage trips and contactors.

## 2.2 Use



### **WARNING!**

Risk of injury, burns or electric shock.

- Use this appliance in a household environment.
- Do not change the specification of this appliance.
- Do not let the appliance stay unattended during operation.
- Do not operate the appliance with wet hands or when it has contact with water.
- Do not put cutlery or saucepan lids on the cooking zones. They become hot.
- Set the cooking zone to "off" after use.
- Do not use the appliance as a work surface or as a storage surface.
- If the surface of the appliance is cracked, disconnect immediately the appliance from the power supply. This to prevent an electrical shock.



### **WARNING!**

Risk of fire or explosion.

- Fats and oil when heated can release flammable vapours. Keep flames or heated objects away from fats and oils when you cook with them.
- The vapours that very hot oil releases can cause spontaneous combustion.
- Used oil, that can contain food remnants, can cause fire at a lower temperature than oil used for the first time.
- Do not put flammable products or items that are wet with flammable products in, near or on the appliance.



### **WARNING!**

Risk of damage to the appliance.

- Do not keep hot cookware on the control panel.
- Do not let cookware to boil dry.
- Be careful not to let objects or cookware fall on the appliance. The surface can be damaged.
- Do not activate the cooking zones with empty cookware or without cookware.
- Do not put aluminium foil on the appliance.
- Cookware made of cast iron, aluminium or with a damaged bottom can cause scratches on the glass ceramic. Always lift these objects up when you have to move them on the cooking surface.

## 2.3 Care and Cleaning



### **WARNING!**

Risk of damage to the appliance.

- Clean regularly the appliance to prevent the deterioration of the surface material.
- Do not use water spray and steam to clean the appliance.
- Clean the appliance with a moist soft cloth. Only use neutral detergents. Do not use abrasive products, abrasive cleaning pads, solvents or metal objects.

## 2.4 Disposal

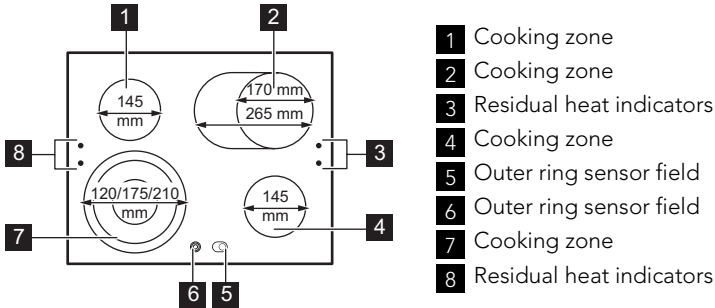


### **WARNING!**

Risk of injury or suffocation.

- Contact your municipal authority for information on how to discard the appliance correctly.
- Disconnect the appliance from the mains supply.
- Cut off the mains cable and discard it.

## 3. PRODUCT DESCRIPTION



- 1** Cooking zone
- 2** Cooking zone
- 3** Residual heat indicators
- 4** Cooking zone
- 5** Outer ring sensor field
- 6** Outer ring sensor field
- 7** Cooking zone
- 8** Residual heat indicators

### 3.1 Residual heat indicator

The residual heat indicator comes on when a cooking zone is hot.



#### **WARNING!**

The risk of burns from residual heat!

## 4. DAILY USE

**You operate the hob with the knobs of the oven. The Daily Use chapter for the oven tells how to operate the hob.**



When a cooking zone operates, it hums for a short time. This is typical of all ceramic glass cooking zones and does not show that the appliance operates incorrectly.

To activate the outer ring touch the sensor field / . The indicator comes on. For more outer rings touch the same sensor field again. The subsequent indicator comes on.

Do the procedure again to deactivate the outer ring. The indicator goes out.

### 4.1 Activation and deactivation of the outer rings

You can adjust the surface you cook to the dimension of the cookware.

## 5. HELPFUL HINTS AND TIPS

### 5.1 Cookware



Information about the cookware

- The bottom of the cookware must be as thick and flat as possible.
- Cookware made of enamelled steel and with aluminium or copper bot-

toms can cause the colour change on the glass-ceramic surface.

### 5.2 Energy saving



How to save energy

- If it is possible, always put the lids on the cookware.

- Put cookware on a cooking zone before you start it.
- Stop the cooking zones before the end of the cooking time to use residual heat.
- The bottom of pans and cooking zones must have the same dimension.

## 6. CARE AND CLEANING

Clean the appliance after each use.  
Always use cookware with clean bottom.



Scratches or dark stains on the glass-ceramic cause no effect on how the appliance operates.

### To remove the dirt:

1. – **Remove immediately:** melted plastic, plastic foil, and food with sugar. If not, the dirt can cause damage to the appliance. Use a special scraper for the glass. Put the scraper on the glass surface at

an acute angle and move the blade on the surface.

- **Remove after the appliance is sufficiently cool:** limescale rings, water rings, fat stains, shiny metallic discolorations. Use a special cleaning agent for glass ceramic or stainless steel.
2. Clean the appliance with a moist cloth and some detergent.
  3. At the end **rub the appliance dry with a clean cloth.**

## 7. TROUBLESHOOTING

Problem	Possible cause	Remedy
You cannot activate the appliance or operate it.		Activate the appliance again and set the heat setting in less than 10 seconds.
	Problem with the house electrical system.	Examine the fuse in the electrical system of the house in the fuse box. If the fuses blow again and again, speak to qualified electrician.
The residual heat indicator does not come on.	The cooking zone is not hot because it operated only for a short time.	If the cooking zone should be hot, speak to the service centre.
You cannot activate the outer ring.		Activate the inner ring first.

If you tried the above solutions and cannot repair the problem, speak to your dealer or the customer service. Give the data from the rating plate, three digit letter code for the glass ceramic (it is in the corner of the glass surface) and an error message that comes on.

Make sure, you operated the appliance correctly. If not the servicing by a customer service technician or dealer will not be free of charge, also during the warranty period. The instructions about the customer service and conditions of guarantee are in the guarantee booklet.

## 8. INSTALLATION



### WARNING!

Refer to the Safety chapters.



Before the installation

Before the installation of the appliance, record the information below from the rating plate. The rating plate is on the bottom of the appliance casing.

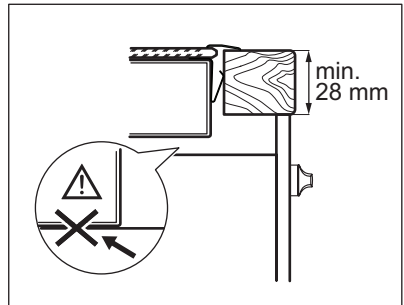
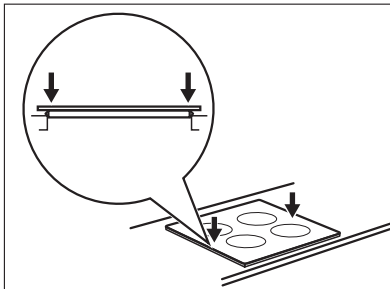
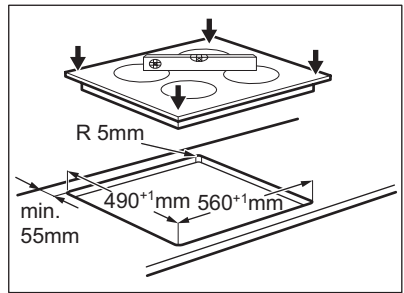
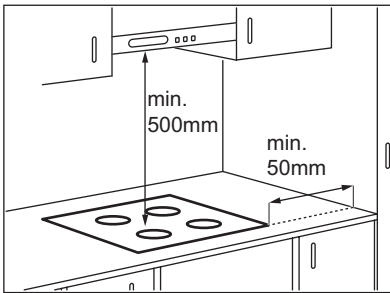
- Model .....

- PNC .....
- Serial number .....

### 8.1 Built-in appliances

- Only use the built-in appliances after you assemble the appliance into correct built-in units and work surfaces that align to the standards.

### 8.2 Assembly



## 9. TECHNICAL INFORMATION

Modell HE604070XB

Typ 58 CAD 55 ZO

Ser.Nr. ....

AEG

Prod.Nr. 949 595 066 00

220 - 240 V 50 - 60 Hz

Made in Germany

7.1 kW






**Cooking zones power**

<b>Cooking zone</b>	<b>Nominal Power (Max heat setting) [W]</b>
Right rear — 170 / 265 mm	1500 / 2400 W
Right front — 145 mm	1200 W
Left rear — 145 mm	1200 W
Left front — 120 / 175 / 210 mm	800 / 1600 / 2300 W

## 10. ENVIRONMENT CONCERNS

Recycle the materials with the symbol ♻️. Put the packaging in applicable containers to recycle it. Help protect the environment and human health and to recycle waste of electrical and electronic

appliances. Do not dispose appliances marked with the symbol  with the household waste. Return the product to your local recycling facility or contact your municipal office.





[www.aeg.com/shop](http://www.aeg.com/shop)



892933098-B-502012

