

EN	User Manual	2
	Hob	
FR	Notice d'utilisation	16
	Table de cuisson	
DE	Benutzerinformation	33
	Kochfeld	

HK654070FB



CONTENTS

1. SAFETY INFORMATION.....	3
2. SAFETY INSTRUCTIONS.....	4
3. PRODUCT DESCRIPTION.....	6
4. DAILY USE.....	8
5. HINTS AND TIPS.....	10
6. CARE AND CLEANING.....	11
7. TROUBLESHOOTING.....	12
8. INSTALLATION.....	14
9. TECHNICAL INFORMATION.....	15

FOR PERFECT RESULTS

Thank you for choosing this AEG product. We have created it to give you impeccable performance for many years, with innovative technologies that help make life simpler features you might not find on ordinary appliances. Please spend a few minutes reading to get the very best from it.

Visit our website for:



Get usage advice, brochures, trouble shooter, service information:
www.aeg.com



Register your product for better service:
www.registeraeg.com



Buy Accessories, Consumables and Original spare parts for your appliance:
www.aeg.com/shop

CUSTOMER CARE AND SERVICE

Always use original spare parts.

When contacting our Authorised Service Centre, ensure that you have the following data available: Model, PNC, Serial Number.

The information can be found on the rating plate.

 Warning / Caution-Safety information

 General information and tips

 Environmental information

Subject to change without notice.

1. ⚠ SAFETY INFORMATION

Before the installation and use of the appliance, carefully read the supplied instructions. The manufacturer is not responsible if an incorrect installation and use causes injuries and damages. Always keep the instructions with the appliance for future reference.

1.1 Children and vulnerable people safety

- This appliance can be used by children aged from 8 years and above and persons with reduced physical, sensory or mental capabilities or lack of experience and knowledge if they have been given supervision or instruction concerning use of the appliance in a safe way and understand the hazards involved.
- Do not let children play with the appliance.
- Keep all packaging away from children.
- Keep children and pets away from the appliance when it operates or when it cools down. Accessible parts are hot.
- If the appliance has a child safety device, we recommend you activate it.
- Cleaning and user maintenance shall not be made by children without supervision.
- Children of less than 3 years should be kept away unless continuously supervised.

1.2 General Safety

- The appliance and its accessible parts become hot during use. Do not touch the heating elements.
- Do not operate the appliance by means of an external timer or separate remote-control system.
- Unattended cooking on a hob with fat or oil can be dangerous and may result in fire.
- Never try to extinguish a fire with water, but switch off the appliance and then cover flame e.g. with a lid or a fire blanket.

- Do not store items on the cooking surfaces.
- Metallic objects such as knives, forks, spoons and lids should not be placed on the hob surface since they can get hot.
- Do not use a steam cleaner to clean the appliance.
- If the glass ceramic surface / glass surface is cracked, switch off the appliance to avoid the possibility of electric shock.
- If the supply cord is damaged, it must be replaced by the manufacturer, an authorized Service or similarly qualified persons in order to avoid a hazard.

2. SAFETY INSTRUCTIONS

2.1 Installation



WARNING!

Only a qualified person must install this appliance.

- Remove all the packaging.
- Do not install or use a damaged appliance.
- Obey the installation instruction supplied with the appliance.
- Keep the minimum distance from the other appliances and units.
- Always be careful when you move the appliance because it is heavy. Always wear safety gloves.
- Seal the cut surfaces with a sealant to prevent moisture to cause swelling.
- Protect the bottom of the appliance from steam and moisture.
- Do not install the appliance adjacent to a door or under a window. This prevents hot cookware to fall from the appliance when the door or the window is opened.
- If the appliance is installed above drawers make sure that the space, between the bottom of the appliance and the upper drawer, is sufficient for air circulation.
- The bottom of the appliance can get hot. Make sure to install a non-combustible separation panel under the appliance to prevent access to the bottom.

2.2 Electrical Connection



WARNING!

Risk of fire and electrical shock.

- All electrical connections should be made by a qualified electrician.
- The appliance must be earthed.
- Before carrying out any operation make sure that the appliance is disconnected from the power supply.
- Make sure that the electrical information on the rating plate agrees with the power supply. If not, contact an electrician.
- Make sure the appliance is installed correctly. Loose and incorrect electricity mains cable or plug (if applicable) can make the terminal become too hot.
- Use the correct electricity mains cable.
- Do not let the electricity mains cable tangle.
- Make sure that a shock protection is installed.
- Use the strain relief clamp on the cable.
- Make sure the mains cable or plug (if applicable) does not touch the hot appliance or hot cookware, when you connect the appliance to the near sockets
- Do not use multi-plug adapters and extension cables.

- Make sure not to cause damage to the mains plug (if applicable) or to the mains cable. Contact an Authorised Service Centre or an electrician to change a damaged mains cable.
 - The shock protection of live and insulated parts must be fastened in such a way that it cannot be removed without tools.
 - Connect the mains plug to the mains socket only at the end of the installation. Make sure that there is access to the mains plug after the installation.
 - If the mains socket is loose, do not connect the mains plug.
 - Do not pull the mains cable to disconnect the appliance. Always pull the mains plug.
 - Use only correct isolation devices: line protecting cut-outs, fuses (screw type fuses removed from the holder), earth leakage trips and contactors.
 - The electrical installation must have an isolation device which lets you disconnect the appliance from the mains at all poles. The isolation device must have a contact opening width of minimum 3 mm.
- Do not use the appliance as a work surface or as a storage surface.
 - If the surface of the appliance is cracked, disconnect immediately the appliance from the power supply. This to prevent an electrical shock.
 - When you place food into hot oil, it may splash.

**WARNING!**

Risk of fire and explosion

- Fats and oil when heated can release flammable vapours. Keep flames or heated objects away from fats and oils when you cook with them.
- The vapours that very hot oil releases can cause spontaneous combustion.
- Used oil, that can contain food remnants, can cause fire at a lower temperature than oil used for the first time.
- Do not put flammable products or items that are wet with flammable products in, near or on the appliance.

**WARNING!**

Risk of damage to the appliance.

- Do not keep hot cookware on the control panel.
- Do not let cookware to boil dry.
- Be careful not to let objects or cookware fall on the appliance. The surface can be damaged.
- Do not activate the cooking zones with empty cookware or without cookware.
- Do not put aluminium foil on the appliance.
- Cookware made of cast iron, aluminium or with a damaged bottom can cause scratches on the glass / glass ceramic. Always lift these objects up when you have to move them on the cooking surface.
- This appliance is for cooking purposes only. It must not be used for other purposes, for example room heating.

2.3 Use

**WARNING!**

Risk of injury, burns and electrical shock.

- Remove all the packaging, labelling and protective film (if applicable) before first use.
- Use this appliance in a household environment.
- Do not change the specification of this appliance.
- Make sure that the ventilation openings are not blocked.
- Do not let the appliance stay unattended during operation.
- Set the cooking zone to "off" after each use.
- Do not put cutlery or saucepan lids on the cooking zones. They can become hot.
- Do not operate the appliance with wet hands or when it has contact with water.

2.4 Care and cleaning

- Clean regularly the appliance to prevent the deterioration of the surface material.

- Deactivate the appliance and let it cool down before you clean it.
- Disconnect the appliance from the electrical supply before maintenance.
- Do not use water spray and steam to clean the appliance.
- Clean the appliance with a moist soft cloth. Only use neutral detergents. Do not use abrasive products, abrasive cleaning pads, solvents or metal objects.

2.5 Disposal



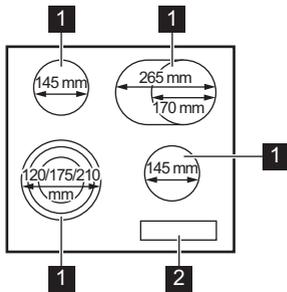
WARNING!

Risk of injury or suffocation.

- Contact your municipal authority for information on how to discard the appliance correctly.
- Disconnect the appliance from the mains supply.
- Cut off the mains cable and discard it.

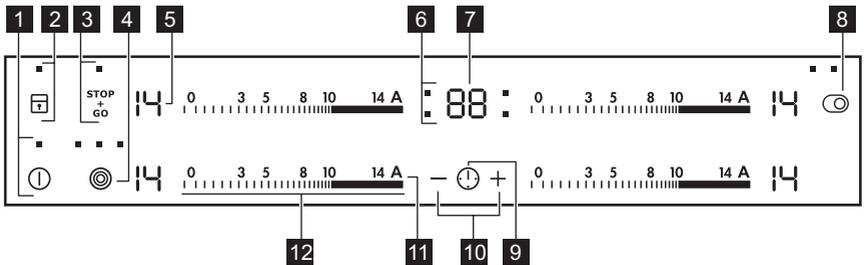
3. PRODUCT DESCRIPTION

3.1 Cooking surface layout



- 1 Cooking zone
- 2 Control panel

3.2 Control panel layout



Use the sensor fields to operate the appliance. The displays, indicators and sounds tell which functions operate.

Sensor field	Function	Comment
1	ⓘ	ON / OFF To activate and deactivate the hob.
2	🔒	Lock / The Child Safety Device To lock / unlock the control panel.

Sensor field	Function	Comment
3 	STOP+GO	To activate and deactivate the function.
4 	-	To activate and deactivate the outer ring.
5 -	Heat setting display	To show the heat setting.
6 -	Timer indicators of cooking zones	To show for which zone you set the time.
7 -	Timer display	To show the time in minutes.
8 	-	To activate and deactivate the outer ring.
9 	-	To select the cooking zone.
10 	-	To increase or decrease the time.
11 A	Automatic Heat Up	To activate and deactivate the function.
12 -	Control bar	To set a heat setting.

3.3 Heat setting displays

Display	Description
	The cooking zone is deactivated.
	The cooking zone operates.
	STOP+GO function operates.
	Automatic Heat Up function operates.
	There is a malfunction.
	OptiHeat Control (3 step Residual heat indicator): continue cooking / keep warm / residual heat.
	Lock / The Child Safety Device function operates.
	Automatic Switch Off function operates.

3.4 OptiHeat Control (3 step Residual heat indicator)



WARNING!

/ / There is a risk of burns from residual heat. The indicator shows the level of the residual heat.

4. DAILY USE



WARNING!

Refer to Safety chapters.

4.1 Activating and deactivating

Touch for 1 second to activate or deactivate the hob.

4.2 Automatic Switch Off

The function deactivates the hob automatically if:

- all cooking zones are deactivated,
- you do not set the heat setting after you activate the hob,
- you spill something or put something on the control panel for more than 10 seconds (a pan, a cloth, etc.). An acoustic signal sounds and the hob deactivates. Remove the object or clean the control panel.
- you do not deactivate a cooking zone or change the heat setting. After some time comes on and the hob deactivates.

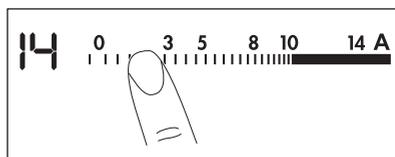
The relation between the heat setting and the time after which the hob deactivates:

Heat setting	The hob deactivates after
1 - 3	6 hours
4 - 7	5 hours
8 - 9	4 hours
10 - 14	1.5 hour

4.3 The heat setting

To set or change the heat setting:

Touch the control bar at the correct heat setting or move your finger along the control bar until you reach the correct heat setting.



4.4 Activating and deactivating the outer rings

You can adjust the surface you cook to the dimension of the cookware.

Use sensor field:

To activate the outer ring: touch the sensor field. The indicator comes on.

To activate more outer rings: touch the same sensor field again. The subsequent indicator comes on.

To deactivate the outer ring: touch the sensor field until the indicator goes out.



When you activate the zone but do not activate the outer ring the light that comes out from the zone may cover the outer ring. It does not mean that the outer ring is activated. To see if the ring is activated check the indicator.

4.5 Automatic Heat Up

If you activate this function you can get a necessary heat setting in a shorter time. The function sets the highest heat setting for some time and then decreases to the correct heat setting.

 To activate the function the cooking zone must be cold.

To activate the function for a cooking

zone: touch **A** ( comes on). Immediately touch the correct heat setting. After 3 seconds  comes on.

To deactivate the function: change the heat setting.

4.6 Timer

Count Down Timer

You can use this function to set how long the cooking zone should operate for a single cooking session.

First set the cooking zone then set the function. You can set the heat setting before or after you set the function.

To set the cooking zone: touch  again and again until the indicator of a necessary cooking zone comes on.

To activate the function: touch  of the timer to set the time (**00 - 99** minutes). When the indicator of the cooking zone starts to flash slowly the time counts down.

To see the remaining time: set the cooking zone with . The indicator of the cooking zone starts to flash quickly. The display shows the remaining time.

To change the time: set the cooking zone with . Touch  or .

To deactivate the function: set the cooking zone with  and touch . The remaining time counts back to **00**. The indicator of the cooking zone goes out. To deactivate the function you can also touch  and  at the same time.



When the time comes to an end, the sound operates and **00** flashes. The cooking zone deactivates.

To stop the sound: touch .

CountUp Timer (The count up timer)

You can use this function to monitor how long the cooking zone operates.

To set the cooking zone: touch  again and again until the indicator of a necessary cooking zone comes on.

To activate the function: touch  of the timer.  comes on. When the indicator of the cooking zone starts to flash slowly the time counts up. The display switches between  and counted time (minutes).

To see how long the cooking zone

operates: set the cooking zone with . The indicator of the cooking zone starts to flash quickly. The display shows how long the zone operates.

To deactivate the function: set the cooking zone with  and touch  or . The indicator of the cooking zone goes out.

Minute Minder

You can use this function as a **Minute Minder** when the hob is activated and the cooking zones do not operate (the heat setting display shows .

To activate the function: touch .

Touch  or  of the timer to set the time. When the time comes to an end, the sound operates and **00** flashes.

To stop the sound: touch .



The function has no effect on the operation of the cooking zones.

4.7 STOP+GO

This function sets all cooking zones that operate to the lowest heat setting.

When the function operates, you cannot change the heat setting.

The function does not stop the timer functions.

To activate the function: touch   comes on.

To deactivate the function: touch   . The previous heat setting comes on.

4.8 Lock

You can lock the control panel while cooking zones operate. It prevents an accidental change of the heat setting.

Set the heat setting first.

To activate the function: touch   comes on for 4 seconds. The Timer stays on.

To deactivate the function: touch  . The previous heat setting comes on.



When you deactivate the hob, you also deactivate this function.

4.9 The Child Safety Device

This function prevents an accidental operation of the hob.

To activate the function: activate the hob with  . Do not set the heat setting. Touch  for 4 seconds.  comes on. Deactivate the hob with .

To deactivate the function: activate the hob with  . Do not set the heat setting. Touch  for 4 seconds.  comes on. Deactivate the hob with .

To override the function for only one cooking time: activate the hob with  .

 comes on. Touch  for 4 seconds.

Set the heat setting in 10 seconds. You can operate the hob. When you deactivate the hob with  the function operates again.

4.10 OffSound Control (Deactivation and activation of the sounds)

Deactivate the hob. Touch  for 3 seconds. The display comes on and goes out. Touch  for 3 seconds.  or  comes on. Touch  of the timer to choose one of the following:

-  - the sounds are off
-  - the sounds are on

To confirm your selection wait until the hob deactivates automatically.

When the function is set to  you can hear the sounds only when:

- you touch 
- Minute Minder comes down
- Count Down Timer comes down
- you put something on the control panel.

5. HINTS AND TIPS



WARNING!
Refer to Safety chapters.

5.1 Cookware



The bottom of the cookware must be as thick and flat as possible.



Cookware made of enamelled steel and with aluminium or copper bottoms can cause the colour change on the glass-ceramic surface.

5.2 Energy saving

- If it is possible, always put the lids on the cookware.
- Put cookware on a cooking zone before you start it.

- Use the residual heat to keep the food warm or to melt it.
- The bottom of the pans and cooking zones must have the same dimension.

5.3 Öko Timer (Eco Timer)

To save energy, the heater of the cooking zone deactivates before the count down timer sounds. The difference

in the operation time depends on the heat setting level and the length of the cooking operation.

5.4 Examples of cooking applications



The data in the table is for guidance only.

Heat setting	Use to:	Time (min)	Hints
- 1	Keep cooked food warm.	as necessary	Put a lid on the cookware.
1 - 3	Hollandaise sauce, melt: butter, chocolate, gelatine.	5 - 25	Mix from time to time.
1 - 3	Solidify: fluffy omelettes, baked eggs.	10 - 40	Cook with a lid on.
3 - 5	Simmer rice and milkbased dishes, heating up ready-cooked meals.	25 - 50	Add the minimum twice as much liquid as rice, mix milk dishes part procedure through.
5 - 7	Steam vegetables, fish, meat.	20 - 45	Add some tablespoons of liquid.
7 - 9	Steam potatoes.	20 - 60	Use max. ¼ l water for 750 g of potatoes.
7 - 9	Cook larger quantities of food, stews and soups.	60 - 150	Up to 3 l liquid plus ingredients.
9 - 12	Gentle fry: escalope, veal cordon bleu, cutlets, rissoles, sausages, liver, roux, eggs, pancakes, doughnuts.	as necessary	Turn halfway through.
12 - 13	Heavy fry, hash browns, loin steaks, steaks.	5 - 15	Turn halfway through.
14	Boil water, cook pasta, sear meat (goulash, pot roast), deep-fry chips.		

6. CARE AND CLEANING



WARNING!
Refer to Safety chapters.

6.1 General information

- Clean the hob after each use.

- Always use cookware with clean bottom.
- Scratches or dark stains on the surface have no effect on how the hob operates.
- Use a special cleaner applicable for the surface of the hob.

- Use a special scraper for the glass.

6.2 Cleaning the hob

- **Remove immediately:** melted plastic, plastic foil, and food with sugar. If not, the dirt can cause damage to the hob. Put the special scraper on the glass surface at an acute angle and move the blade on the surface.

- **Remove when the hob is sufficiently cool:** limescale rings, water rings, fat stains, shiny metallic discoloration. Clean the hob with a moist cloth and some detergent. After cleaning, rub the hob dry with a soft cloth.

7. TROUBLESHOOTING



WARNING!

Refer to Safety chapters.

7.1 What to do if...

Problem	Possible cause	Remedy
You cannot activate or operate the hob.	The hob is not connected to an electrical supply or it is connected incorrectly.	Check if the hob is correctly connected to the electrical supply. Refer to the connection diagram.
	The fuse is released.	Make sure that the fuse is the cause of the malfunction. If the fuse releases again and again, contact a qualified electrician.
		Activate the hob again and set the heat setting in less than 10 seconds.
	You touched 2 or more sensor fields at the same time.	Touch only one sensor field.
	STOP+GO function operates.	Refer to "Daily use" chapter.
	There is water or fat stains on the control panel.	Clean the control panel.
An acoustic signal sounds and the hob deactivates. An acoustic signal sounds when the hob is deactivated.	You put something on one or more sensor fields.	Remove the object from the sensor fields.
The hob deactivates.	You put something on the sensor field ①.	Remove the object from the sensor field.

Problem	Possible cause	Remedy
Residual heat indicator does not come on.	The zone is not hot because it operated only for a short time.	If the zone operated sufficiently long to be hot, speak to an Authorised Service Centre.
Automatic Heat Up function does not operate.	The zone is hot. The highest heat setting is set.	Let the zone become sufficiently cool. The highest heat setting has the same power as the function.
You cannot activate the outer ring.		Activate the inner ring first.
 There is a dark area on the multiple zone.	It is normal that there is a dark area on the multiple zone.	
The sensor fields become hot.	The cookware is too large or you put it too near to the controls.	Put large cookware on the rear zones if possible.
There is no signal when you touch the panel sensor fields.	The signals are deactivated.	Activate the signals. Refer to "Daily use" chapter.
 comes on.	Automatic Switch Off operates.	Deactivate the hob and activate it again.
 comes on.	The Child Safety Device or the Lock function operates.	Refer to "Daily use" chapter.
 and a number come on.	There is an error in the hob.	Disconnect the hob from the electrical supply for some time. Disconnect the fuse from the electrical system of the house. Connect it again. If  comes on again, speak to an Authorised Service Centre.

7.2 If you cannot find a solution...

If you cannot find a solution to the problem yourself, contact your dealer or an Authorised Service Centre. Give the data from the rating plate. Give also three digit letter code for the glass ceramic (it is in the corner of the glass

surface) and an error message that comes on. Make sure, you operated the hob correctly. If not the servicing by a service technician or dealer will not be free of charge, also during the warranty period. The instructions about the Service Centre and conditions of guarantee are in the guarantee booklet.

8. INSTALLATION



WARNING!
Refer to Safety chapters.

8.1 Before the installation

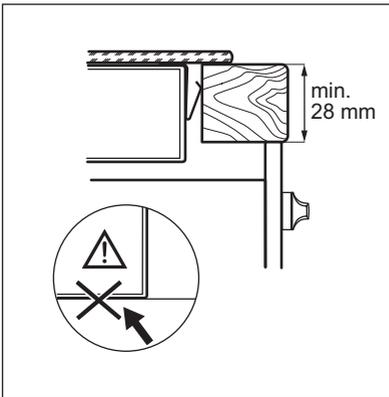
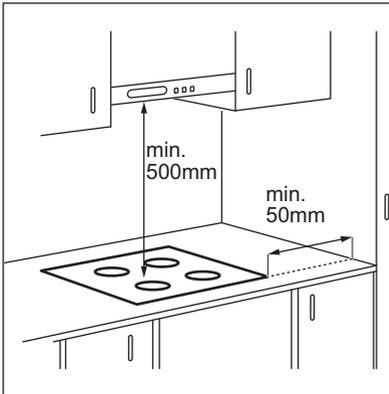
Before you install the hob, write down the information bellow from the rating plate. The rating plate is on the bottom of the hob.

Serial number

8.2 Built-in hobs

Only use the built-in hobs after you assemble the hob into correct built-in

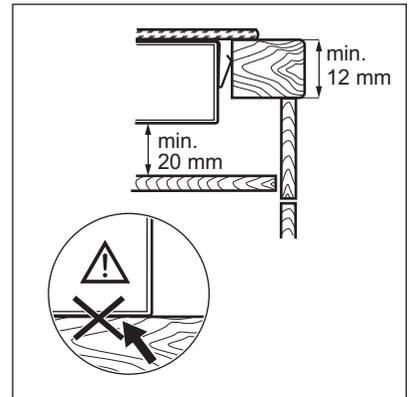
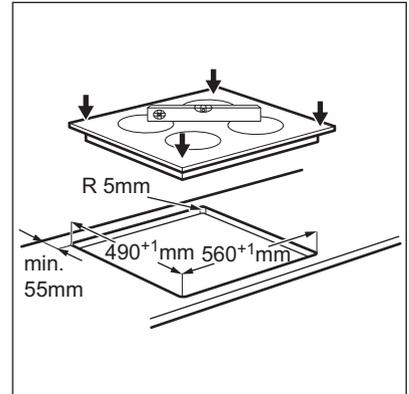
8.4 Assembly



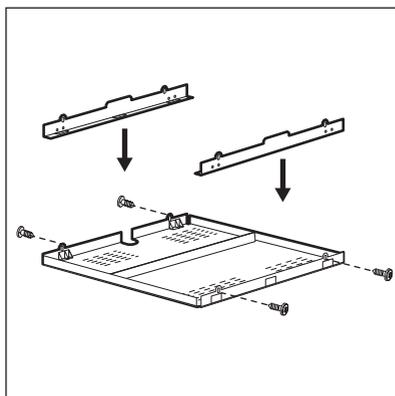
units and work surfaces that align to the standards.

8.3 Connection cable

- The hob is supplied with a connection cable.
- To replace the damaged mains cable use the following (or higher) mains cable type: H05BB-F Tmax 90°C. Speak to your local Service Centre.



8.5 Protection box



If you use a protection box (an additional accessory), the protective floor directly below the hob is not necessary. The protection box accessory may not be available in some countries. Please contact your local supplier.



You can not use the protection box if you install the hob above an oven.

9. TECHNICAL INFORMATION

9.1 Rating plate

Modell HK654070FB
Typ 58 HAD 56 AO

Ser.Nr.
AEG

PNC 949 595 012 01
220 - 240 V 50 - 60 Hz
Made in Germany
7.1 kW
CE

9.2 Cooking zones specification

Cooking zone	Nominal Power (Max heat setting) [W]	Cooking zone diameter [mm]
Left front	800 / 1600 / 2300	120 / 175 / 210
Left rear	1200	145
Right front	1200	145
Right rear	1500 / 2400	170 / 265

For optimal cooking results use cookware not larger than the diameter of the cooking zone.

10. ENVIRONMENT CONCERNS

Recycle the materials with the symbol Put the packaging in applicable containers to recycle it. Help protect the environment and human health and to recycle waste of electrical and electronic

appliances. Do not dispose appliances marked with the symbol with the household waste. Return the product to your local recycling facility or contact your municipal office.

TABLE DES MATIÈRES

1. CONSIGNES DE SÉCURITÉ.....	17
2. INSTRUCTIONS DE SÉCURITÉ.....	18
3. DESCRIPTION DE L'APPAREIL.....	21
4. UTILISATION QUOTIDIENNE.....	23
5. CONSEILS.....	26
6. ENTRETIEN ET NETTOYAGE.....	27
7. EN CAS D'ANOMALIE DE FONCTIONNEMENT.....	27
8. INSTALLATION.....	29
9. CARACTÉRISTIQUES TECHNIQUES.....	31

POUR DES RÉSULTATS PARFAITS

Merci d'avoir choisi ce produit AEG. Nous l'avons conçu pour qu'il vous offre des performances irréprochables pour longtemps, en intégrant des technologies innovantes qui vous simplifient la vie grâce à des caractéristiques que vous ne trouverez pas forcément sur des appareils ordinaires. Veuillez prendre quelques instants pour lire cette notice afin d'utiliser au mieux votre appareil.

Visitez notre site Internet pour :



Obtenir des conseils d'utilisation, des brochures, de l'aide, des informations :
www.aeg.com



Enregistrer votre produit pour obtenir un meilleur service :
www.registreaeg.com



Acheter des accessoires, consommables et pièces de rechange d'origine pour votre appareil :
www.aeg.com/shop

SERVICE APRÈS-VENTE

N'utilisez que des pièces de rechange d'origine.

Avant de contacter le service, assurez-vous de disposer des informations suivantes : Modèle, PNC, numéro de série.

Vous trouverez ces informations sur la plaque signalétique.

 Avertissement/Attention : signes de sécurité.

 Informations générales et conseils.

 Informations en matière de protection de l'environnement.

Sous réserve de modifications.

1. ⚠️ CONSIGNES DE SÉCURITÉ

Avant d'installer et d'utiliser cet appareil, lisez soigneusement les instructions fournies. Le fabricant ne peut être tenu pour responsable des dommages et blessures liés à une mauvaise installation ou utilisation. Conservez toujours cette notice avec votre appareil pour vous y référer ultérieurement.

1.1 Sécurité des enfants et des personnes vulnérables

- Cet appareil peut être utilisé par des enfants âgés d'au moins 8 ans et par des personnes ayant des capacités physiques, sensorielles ou mentales réduites ou dénuées d'expérience ou de connaissance, s'ils (si elles) sont correctement surveillé(e)s ou si des instructions relatives à l'utilisation de l'appareil en toute sécurité leur ont été données et si les risques encourus ont été appréhendés.
- Les enfants ne doivent pas jouer avec l'appareil.
- Ne laissez pas les emballages à la portée des enfants.
- Tenez les enfants et les animaux éloignés de l'appareil lorsqu'il est en cours de fonctionnement ou lorsqu'il refroidit. Les parties accessibles sont chaudes.
- Si l'appareil est équipé d'un dispositif de sécurité enfants, nous vous recommandons de l'activer.
- Le nettoyage et l'entretien par l'utilisateur ne doivent pas être effectués par des enfants sans surveillance.
- Les enfants de moins de 3 ans, sans surveillance, doivent être tenus à l'écart de l'appareil.

1.2 Sécurité générale

- L'appareil et ses parties accessibles deviennent chauds pendant son fonctionnement. Ne touchez pas les résistances.
- Ne faites pas fonctionner l'appareil avec un minuteur externe ou un système de commande à distance.

- Il peut être dangereux de laisser chauffer de la graisse ou de l'huile sans surveillance sur une table de cuisson car cela pourrait provoquer un incendie.
- N'essayez jamais d'éteindre un feu avec de l'eau. Éteignez l'appareil puis couvrez les flammes, par exemple avec un couvercle ou une couverture ignifuge.
- N'entreposez rien sur les surfaces de cuisson.
- Ne posez pas d'objets métalliques tels que couteaux, fourchettes, cuillères ou couvercles sur la table de cuisson car ils pourraient chauffer.
- N'utilisez pas de nettoyeur vapeur pour nettoyer l'appareil.
- Si la surface vitrocéramique est fissurée, éteignez l'appareil pour éviter tout risque d'électrocution.
- Si le câble d'alimentation est endommagé, il doit être remplacé par le fabricant, un service de maintenance agréé ou un technicien qualifié afin d'éviter tout danger.

2. INSTRUCTIONS DE SÉCURITÉ

2.1 Instructions d'installation



AVERTISSEMENT!

L'appareil doit être installé uniquement par un professionnel qualifié.

- Retirez l'intégralité de l'emballage
- N'installez pas et ne branchez pas un appareil endommagé.
- Suivez scrupuleusement les instructions d'installation fournies avec l'appareil.
- Respectez l'espacement minimal requis par rapport aux autres appareils et éléments.
- Soyez toujours vigilants lorsque vous déplacez l'appareil car il est lourd. Portez toujours des gants de sécurité.
- Isolez les surfaces découpées à l'aide d'un matériau d'étanchéité pour éviter que la moisissure ne provoque des gonflements.

- Protégez la partie inférieure de l'appareil de la vapeur et de l'humidité.
- N'installez pas l'appareil près d'une porte ou sous une fenêtre. Les récipients chauds risqueraient de tomber de l'appareil lors de l'ouverture de celles-ci.
- Si l'appareil est installé au-dessus de tiroirs, assurez-vous qu'il y a suffisamment d'espace entre le fond de l'appareil et le tiroir supérieur pour que l'air puisse circuler.
- Le dessous de l'appareil peut devenir très chaud. Veillez à installer un panneau de séparation ignifuge sous l'appareil pour en bloquer l'accès.

2.2 Branchement électrique



AVERTISSEMENT!

Risque d'incendie ou d'électrocution.

- L'ensemble des branchements électriques doit être effectué par un technicien qualifié.
- L'appareil doit être relié à la terre.
- Avant toute intervention, assurez-vous que l'appareil est débranché.
- Vérifiez que les données électriques figurant sur la plaque signalétique correspondent à celles de votre réseau. Si ce n'est pas le cas, contactez un électricien.
- Assurez-vous que l'appareil est bien installé. Un câble d'alimentation lâche et inapproprié ou une fiche (si présente) non serrée peuvent être à l'origine d'une surchauffe des bornes.
- Utilisez le câble d'alimentation électrique approprié.
- Ne laissez pas le câble d'alimentation s'emmêler.
- Assurez-vous qu'une protection anti-électrocution est installée.
- Utilisez un collier anti-traction sur le câble.
- Assurez-vous que le câble d'alimentation ou la fiche (si présente) n'entrent pas en contact avec les surfaces brûlantes de l'appareil ou les récipients brûlants lorsque vous branchez l'appareil à des prises électriques situées à proximité.
- N'utilisez pas d'adaptateurs multiprises ni de rallonges.
- Veillez à ne pas endommager la fiche secteur (si présente) ni le câble d'alimentation. Contactez un service après-vente agréé ou un électricien pour remplacer le câble d'alimentation s'il est endommagé.
- La protection contre les chocs des parties sous tension et isolées doit être fixée de telle manière qu'elle ne puisse pas être enlevée sans outils.
- Ne connectez la fiche d'alimentation secteur à la prise de courant secteur qu'à la fin de l'installation. Assurez-vous que la fiche d'alimentation est accessible une fois l'appareil installé.
- Si la prise de courant est lâche, ne branchez pas la fiche d'alimentation secteur.
- Ne tirez jamais sur le câble d'alimentation électrique pour débrancher l'appareil. Tirez toujours sur la fiche.
- N'utilisez que des systèmes d'isolation appropriés : des coupe-circuits, des fusibles (les fusibles à visser doivent être retirés du support), des disjoncteurs différentiels et des contacteurs.
- L'installation électrique doit être équipée d'un dispositif d'isolement à coupure omnipolaire. Le dispositif d'isolement doit présenter une distance d'ouverture des contacts d'au moins 3 mm.

2.3 Utilisation



AVERTISSEMENT!

Risque de blessures, de brûlures ou d'électrocution.

- Avant la première utilisation, retirez les emballages, les étiquettes et les films de protection (si présents).
- Utilisez cet appareil dans un environnement domestique.
- Ne modifiez pas les caractéristiques de cet appareil.
- Assurez-vous que les orifices de ventilation ne sont pas bouchés.
- Ne laissez jamais l'appareil sans surveillance pendant son fonctionnement.
- Éteignez les zones de cuisson après chaque utilisation.
- Ne posez pas de couverts ou de couvercles sur les zones de cuisson. Elles sont chaudes.
- N'utilisez jamais cet appareil avec les mains mouillées ou lorsqu'il est en contact avec de l'eau.
- N'utilisez jamais l'appareil comme plan de travail ou comme plan de stockage.
- Si la surface de l'appareil présente des fêlures, débranchez immédiatement l'appareil pour éviter tout risque d'électrocution.
- Lorsque vous versez un aliment dans de l'huile chaude, elle peut éclabousser.



AVERTISSEMENT!

Risque d'incendie et d'explosion.

- Les graisses et l'huile chaudes peuvent dégager des vapeurs inflammables. Tenez les flammes ou

les objets chauds éloignés des graisses et de l'huile lorsque vous vous en servez pour cuisiner.

- Les vapeurs dégagées par l'huile très chaude peuvent provoquer une combustion spontanée.
- L'huile qui a servi contient des restes d'aliments pouvant provoquer un incendie à température plus faible que l'huile n'ayant jamais servi.
- Ne placez pas de produits inflammables ou d'éléments imbibés de produits inflammables à l'intérieur ou à proximité de l'appareil, ni sur celui-ci.



AVERTISSEMENT!

Risque d'endommagement de l'appareil.

- Ne laissez pas de récipients chauds sur le bandeau de commande.
- Ne laissez pas le contenu des récipients de cuisson s'évaporer complètement.
- Prenez soin de ne pas laisser tomber d'objets ou de récipients sur l'appareil. Sa surface risque d'être endommagée.
- Ne faites jamais fonctionner les zones de cuisson avec des récipients de cuisson vides ou sans aucun récipient de cuisson.
- Ne placez jamais de papier aluminium sur l'appareil.
- N'utilisez pas de récipients en fonte ou en aluminium, ni de récipients dont le fond est endommagé et rugueux. Ils risqueraient de rayer le verre ou la surface vitrocéramique. Soulevez toujours ces objets lorsque

vous devez les déplacer sur la surface de cuisson.

- Cet appareil est exclusivement destiné à un usage culinaire. Ne l'utilisez pas pour des usages autres que celui pour lequel il a été conçu, à des fins de chauffage par exemple.

2.4 Entretien et nettoyage

- Nettoyez régulièrement l'appareil afin de maintenir le revêtement en bon état.
- Éteignez l'appareil et laissez-le refroidir avant de le nettoyer.
- Débranchez l'appareil de l'alimentation électrique avant toute opération de maintenance.
- Ne pulvérisez pas d'eau ni de vapeur pour nettoyer l'appareil.
- Nettoyez l'appareil avec un chiffon doux humide. Utilisez uniquement des produits de lavage neutres. N'utilisez pas de produits abrasifs, de tampons à récurer, de solvants ni d'objets métalliques.

2.5 Mise au rebut



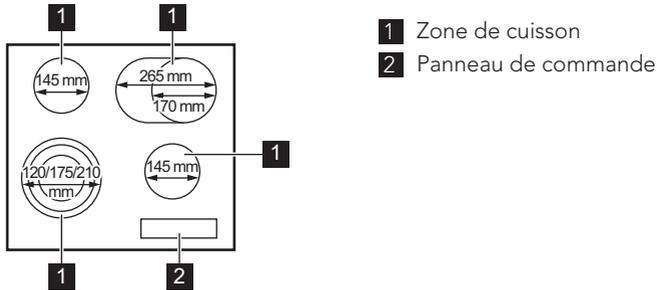
AVERTISSEMENT!

Risque de blessure ou d'asphyxie.

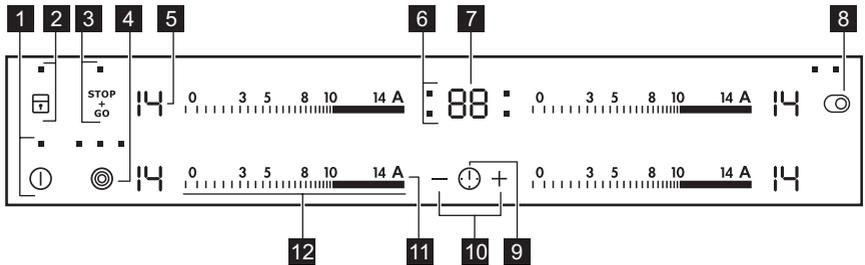
- Contactez votre service municipal pour obtenir des informations sur la marche à suivre pour mettre l'appareil au rebut.
- Débranchez l'appareil de l'alimentation électrique.
- Coupez le câble d'alimentation et mettez-le au rebut.

3. DESCRIPTION DE L'APPAREIL

3.1 Description de la table de cuisson



3.2 Description du bandeau de commande

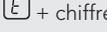


Les touches sensibles permettent de faire fonctionner l'appareil. Les affichages, les voyants et les signaux sonores indiquent les fonctions activées.

Touche sensitive	Fonction	Description	
1	①	MARCHE/ARRÊT	Pour allumer et éteindre la table de cuisson.
2	🔒	Touches verrouil. / Dispositif de sécurité enfants	Pour verrouiller ou déverrouiller le bandeau de commande.
3	STOP+GO	STOP+GO	Pour activer et désactiver la fonction.
4	🌀	-	Pour activer ou désactiver le circuit extérieur de la zone de cuisson.
5	-	Indicateur du niveau de cuisson	Pour indiquer le niveau de cuisson.
6	-	Voyants du minuteur des zones de cuisson	Pour indiquer la zone à laquelle se réfère la durée sélectionnée.

Touche sensitive	Fonction	Description
7	-	Affichage du minuteur
8		-
9		-
10		-
11	A	Démarrage automatique de la cuisson
12	-	Bandeau de sélection

3.3 Indicateurs de niveau de cuisson

Affichage	Description
	La zone de cuisson est désactivée.
	La zone de cuisson est activée.
	La fonction STOP+GO est activée.
	La fonction Démarrage automatique de la cuisson est activée.
	Une anomalie de fonctionnement s'est produite.
	OptiHeat Control (Voyant de chaleur résiduelle à trois niveaux) : continuer la cuisson / maintien au chaud / chaleur résiduelle.
	La fonction Touches verrouil. /Dispositif de sécurité enfants est activée.
	La fonction Arrêt automatique est activée.

3.4 OptiHeat Control (Voyant de chaleur résiduelle à trois niveaux)



AVERTISSEMENT!

 Il y a risque de brûlures par la chaleur résiduelle. Les voyants indiquent le niveau de chaleur résiduelle.

4. UTILISATION QUOTIDIENNE



AVERTISSEMENT!

Reportez-vous aux chapitres concernant la sécurité.

4.1 Activation et désactivation

Appuyez sur  pendant 1 seconde pour activer ou désactiver la table de cuisson.

4.2 Arrêt automatique

Cette fonction arrête la table de cuisson automatiquement si :

- toutes les zones de cuisson sont désactivées,
- vous ne réglez pas le niveau de cuisson après avoir allumé la table de cuisson,
- vous avez renversé quelque chose ou placé un objet sur le bandeau de commande pendant plus de 10 secondes (une casserole, un torchon, etc.). Un signal sonore retentit et la table de cuisson s'éteint. Retirez l'objet du bandeau de commande ou nettoyez celui-ci.
- Vous ne désactivez pas la zone de cuisson ou ne modifiez pas le niveau de cuisson. Au bout de quelques instants,  s'allume et la table de cuisson s'éteint.

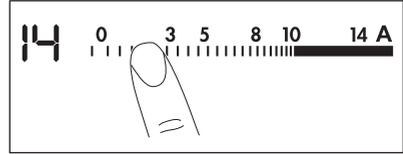
La relation entre le niveau de cuisson et le délai après lequel la table de cuisson s'éteint.

Niveau de cuisson	La table de cuisson s'éteint au bout de :
 1 - 3	6 heures
4 - 7	5 heures
8 - 9	4 heures
10 - 14	1 heure et demie

4.3 Niveau de cuisson

Pour régler ou modifier le niveau de cuisson :

Appuyez sur le niveau de cuisson souhaité sur le bandeau de sélection, ou déplacez votre doigt sur le bandeau de sélection jusqu'à atteindre le niveau de cuisson souhaité.



4.4 Activation et désactivation des circuits extérieurs

Vous pouvez ajuster la surface de cuisson à la dimension de votre ustensile de cuisine.

Utilisez la touche sensitive : 

Pour activer le circuit extérieur : appuyez sur la touche sensitive. Le voyant s'allume.

Pour activer plusieurs circuits extérieurs : appuyez à nouveau sur la même touche sensitive. Le voyant suivant s'allume.

Pour désactiver le circuit extérieur : appuyez sur la touche sensitive jusqu'à ce que le voyant s'éteigne.



Lorsque vous activez la zone mais que vous n'activez pas le circuit extérieur, la lumière provenant de la zone peut recouvrir le circuit extérieur. Cela n'indique pas que le circuit extérieur est activé. Pour savoir si le circuit est activé, regardez le voyant.

4.5 Démarrage automatique de la cuisson

Cette fonction vous permet d'atteindre le niveau de cuisson sélectionné en un temps plus court. Cette fonction active le niveau de cuisson le plus élevé pendant un certain temps puis redescend au niveau sélectionné.



Pour activer la fonction, la zone de cuisson doit être froide

Pour activer la fonction pour une zone

de cuisson : appuyez sur **A** (R) s'allume). Réglez immédiatement le niveau de cuisson souhaité. Au bout de 3 secondes (R) s'allume.

Pour désactiver la fonction : modifiez le niveau de cuisson.

4.6 Minuteur

Minuteur dégressif

Vous pouvez utiliser cette fonction pour régler la durée de fonctionnement de la zone de cuisson, uniquement pour cette session.

Sélectionnez d'abord la zone de cuisson, puis réglez la fonction. Vous pouvez régler le niveau de cuisson avant ou après avoir réglé la fonction.

Pour sélectionner la zone de cuisson :

appuyez sur à plusieurs reprises jusqu'à ce que l'indicateur de la zone de cuisson correspondante s'affiche.

Pour activer la fonction : appuyez sur la touche **+** du minuteur pour régler la durée (de **00** - **99** minutes). Lorsque le voyant de la zone de cuisson commence à clignoter lentement, le décompte commence.

Pour voir le temps restant :

sélectionnez la zone de cuisson à l'aide de . Le voyant de la zone de cuisson clignote rapidement. L'affichage indique la durée restante.

Pour modifier la durée : sélectionnez la zone de cuisson à l'aide de . Appuyez sur **+** ou **-**.

Pour désactiver la fonction :

sélectionnez la zone de cuisson avec et appuyez sur **-**. Le temps restant est décompté jusqu'à **00**. Le voyant de la zone de cuisson commence à clignoter rapidement. Pour désactiver la fonction, vous pouvez également appuyer simultanément sur **+** et **-**.



Lorsque la durée s'est écoulée, un signal sonore retentit et **00** clignote. La zone de cuisson se désactive.

Pour arrêter le signal sonore : appuyez sur .

CountUp Timer (Minuteur progressif)

Cette fonction permet de vérifier la durée de fonctionnement de la zone de cuisson sélectionnée.

Pour sélectionner la zone de cuisson :

appuyez sur à plusieurs reprises jusqu'à ce que l'indicateur de la zone de cuisson correspondante s'affiche.

Pour activer la fonction :

appuyez sur la touche **—** du minuteur. **UP** s'allume. Lorsque le voyant de la zone de cuisson clignote lentement, le minuteur démarre. L'affichage indique, en alternance, **UP** et le nombre de minutes écoulées.

Pour contrôler la durée de fonctionnement de la zone de cuisson sélectionnée :

sélectionnez la zone de cuisson à l'aide de . Le voyant de la zone de cuisson clignote rapidement. L'affichage indique la durée de fonctionnement de la zone de cuisson.

Pour désactiver la fonction :

sélectionnez la zone de cuisson en appuyant sur et appuyez sur **+** ou **-**. Le voyant de la zone de cuisson commence à clignoter rapidement.

Minuteur

Vous pouvez utiliser cette fonction comme **Minuterie** lorsque la table de cuisson est allumée mais que vous n'utilisez pas les zones de cuisson (le niveau de cuisson indiqué est).

Pour activer la fonction :

appuyez sur . Appuyez sur la touche **+** ou **-** du minuteur pour régler la durée. Lorsque la durée s'est écoulée, un signal sonore retentit et **00** clignote.

Pour arrêter le signal sonore : appuyez sur .



Cette fonction est sans effet sur le fonctionnement des zones de cuisson.

4.7 STOP+GO

Cette fonction sélectionne le niveau de cuisson le plus bas pour toutes les zones de cuisson activées.

Lorsque la fonction est en cours, vous ne pouvez pas modifier le niveau de cuisson.

La fonction ne désactive pas les fonctions du minuteur.

Pour activer la fonction : appuyez sur .  s'allume.

Pour désactiver la fonction : appuyez sur . Le niveau de cuisson précédent s'allume.

4.8 Touches verrouil.

Vous pouvez verrouiller le bandeau de commande pendant que les zones de cuisson fonctionnent. Vous éviterez ainsi une modification accidentelle du réglage du niveau de cuisson.

Réglez d'abord le niveau de cuisson.

Pour activer la fonction : appuyez sur .  s'affiche pendant 4 secondes. Le minuteur reste activé.

Pour désactiver la fonction : appuyez sur . Le niveau de cuisson précédent s'allume.



Lorsque vous éteignez la table de cuisson, cette fonction est également désactivée.

4.9 Dispositif de sécurité enfants

Cette fonction permet d'éviter une utilisation involontaire de la table de cuisson.

Pour activer la fonction : allumez la table de cuisson en appuyant sur . Ne

sélectionnez pas de réglage de niveau de cuisson. Appuyez sur  pendant 4 secondes.  s'allume. Éteignez la table de cuisson en appuyant sur .

Pour désactiver la fonction : allumez la table de cuisson en appuyant sur . Ne sélectionnez pas de réglage de niveau de cuisson. Appuyez sur  pendant 4 secondes.  s'allume. Éteignez la table de cuisson en appuyant sur .

Pour désactiver la fonction le temps d'une cuisson : allumez la table de cuisson en appuyant sur .  s'allume.

Appuyez sur  pendant 4 secondes. **Réglez le niveau de cuisson dans les 10 secondes qui suivent.** Vous pouvez utiliser la table de cuisson. Lorsque vous éteignez la table de cuisson avec , la fonction est de nouveau activée.

4.10 OffSound Control (Désactivation et activation des signaux sonores)

Éteignez la table de cuisson. Appuyez sur  pendant 3 secondes. L'affichage s'allume, puis s'éteint. Appuyez sur  pendant 3 secondes.  ou  s'allume. Appuyez sur la touche  du minuteur pour choisir l'une des options suivantes :

-  - les signaux sonores sont désactivés
 -  - les signaux sonores sont activés
- Pour confirmer le réglage, attendez que la table de cuisson s'éteigne automatiquement.

Lorsque cette fonction est réglée sur , l'appareil émet des signaux sonores uniquement lorsque :

- vous appuyez sur 
- Minuteur se termine
- Minuteur dégressif se termine
- vous posez un objet sur le bandeau de commande.

5. CONSEILS



AVERTISSEMENT!

Reportez-vous aux chapitres concernant la sécurité.

5.1 Ustensiles de cuisson



Le fond de l'ustensile de cuisson doit être aussi plat et épais que possible.



Les récipients de cuisson avec un fond en émail, en aluminium ou en cuivre peuvent laisser des traces sur la surface vitrocéramique.

5.2 Économies d'énergie

- Si possible, couvrez toujours les récipients avec un couvercle pendant la cuisson.
- Déposez toujours le récipient sur la zone de cuisson avant de mettre celle-ci en fonctionnement.

- Vous pouvez utiliser la chaleur résiduelle pour conserver les aliments au chaud ou pour faire fondre.
- Veillez à ce que le fond des récipients corresponde à la dimension de la zone de cuisson.

5.3 Öko Timer (Minuteur éco)

Pour réaliser des économies d'énergie, la zone de cuisson se désactive automatiquement avant le signal du minuteur. La différence de temps de fonctionnement dépend du niveau et de la durée de cuisson.

5.4 Exemples de cuisson



Les données du tableau sont fournies à titre indicatif uniquement.

Niveau de cuisson	Utilisation :	Durée (min)	Conseils
 - 1	Conserver les aliments cuits au chaud.	au besoin	Placez un couvercle sur le récipient.
1 - 3	Sauce hollandaise, faire fondre : beurre, chocolat, gélatine.	5 - 25	Mélangez de temps en temps.
1 - 3	Solidifier : omelettes, œufs cocotte.	10 - 40	Couvrez pendant la cuisson.
3 - 5	Faire mijoter des plats à base de riz et de laitage, réchauffer des plats cuisinés.	25 - 50	Ajoutez au moins deux fois plus d'eau que de riz. Remuez les plats à base de lait durant la cuisson.
5 - 7	Cuire à la vapeur des légumes, du poisson et de la viande.	20 - 45	Ajoutez quelques cuillerées de liquide.
7 - 9	Cuire des pommes de terre à la vapeur.	20 - 60	Utilisez max. ¼ l d'eau pour 750 g de pommes de terre.

Niveau de cuisson	Utilisation :	Durée (min)	Conseils
7 - 9	Cuire de grandes quantités d'aliments, des ragoûts et des soupes.	60 - 150	Ajoutez jusqu'à 3 l de liquide, plus les ingrédients.
9 - 12	Poêler à feu doux : escalopes, cordons-bleus de veau, côtelettes, rissolettes, saucisses, foie, roux, œufs, crêpes, beignets.	au besoin	Retournez à la moitié du temps de décongélation.
12 - 13	Cuisson à température élevée des pommes de terre rissolées, filets, steaks.	5 - 15	Retournez à la moitié du temps de décongélation.
14	Faire bouillir de l'eau, cuire des pâtes, cuire de la viande (goulasch, bœuf braisé), cuire des frites.		

6. ENTRETIEN ET NETTOYAGE



AVERTISSEMENT!

Reportez-vous aux chapitres concernant la sécurité.

6.1 Informations générales

- Nettoyez la table de cuisson après chaque utilisation.
- Utilisez toujours un plat de cuisson dont le fond est propre.
- Les rayures ou les taches sombres sur la surface n'ont aucune incidence sur le fonctionnement de la table de cuisson.
- Utilisez un nettoyeur spécialement adapté à la surface de la table de cuisson.
- Utilisez un racloir spécial pour la vitre.

6.2 Nettoyage de la table

- **Enlevez immédiatement :** plastique fondu, films plastiques et aliments

contenant du sucre. Sinon, la saleté pourrait endommager la table de cuisson. Tenez le racloir spécial incliné sur la surface vitrée et faites glisser la lame du racloir pour enlever les salissures.

- **Une fois que la table de cuisson a suffisamment refroidi, enlevez :** traces de calcaire et d'eau, projections de graisse, décolorations métalliques luisantes. Nettoyez la table de cuisson à l'aide d'un chiffon humide et d'un peu de détergent. Après le nettoyage, séchez l'appareil à l'aide d'un chiffon doux.

7. EN CAS D'ANOMALIE DE FONCTIONNEMENT



AVERTISSEMENT!

Reportez-vous aux chapitres concernant la sécurité.

7.1 En cas d'anomalie de fonctionnement...

Problème	Cause probable	Solution
Vous ne pouvez pas mettre en fonctionnement la table de cuisson.	La table de cuisson n'est pas connectée à une source d'alimentation électrique ou le branchement est incorrect.	Vérifiez que la table de cuisson est correctement branchée à une source d'alimentation électrique. Reportez-vous au schéma de branchement.
	Le fusible a disjoncté.	Vérifiez que le fusible est bien la cause de l'anomalie. Si les fusibles disjonctent de manière répétée, faites appel à un électricien qualifié.
		Allumez de nouveau la table de cuisson et réglez le niveau de cuisson en moins de 10 secondes.
	Vous avez appuyé sur plusieurs touches sensibles en même temps.	N'appuyez que sur une seule touche sensible à la fois.
	La fonction STOP+GO est activée.	Reportez-vous au chapitre « Utilisation quotidienne ».
	Il y a de l'eau ou des taches de graisse sur le bandeau de commande.	Nettoyez le bandeau de commande.
Un signal sonore retentit et la table de cuisson s'éteint. Un signal sonore retentit lorsque la table de cuisson est éteinte.	Vous avez posé quelque chose sur une ou plusieurs touches sensibles.	Retirez l'objet des touches sensibles.
La table de cuisson est désactivée.	Vous avez posé quelque chose sur la touche sensible ①.	Retirez l'objet de la touche sensible.
Voyant de chaleur résiduelle ne s'affiche pas.	La zone de cuisson n'est pas chaude parce qu'elle n'a fonctionné que peu de temps.	Si la zone a eu assez de temps pour chauffer, faites appel à votre service après-vente.
La fonction Démarrage automatique de la cuisson ne fonctionne pas.	La zone est chaude.	Laissez la zone refroidir suffisamment.
	Le niveau de cuisson le plus élevé est réglé.	Le niveau de cuisson maximum offre la même puissance que la fonction.

Problème	Cause probable	Solution
Impossible d'activer le circuit extérieur.		Activez d'abord le circuit intérieur.
 Il y a un point sombre sur la zone multiple.	Il est normal qu'il y ait un point sombre sur la zone multiple.	
Les touches sensibles sont chaudes.	Le récipient est trop grand ou vous l'avez placé trop près des commandes.	Placez les récipients de grande taille sur les zones arrière, si possible.
Aucun signal sonore ne se fait entendre lorsque vous appuyez sur les touches sensibles du bandeau.	Les signaux sont désactivés.	Activez les signaux sonores. Reportez-vous au chapitre « Utilisation quotidienne ».
 s'allume.	Arrêt automatique est activée.	Éteignez la table de cuisson puis allumez-la de nouveau.
 s'allume.	La fonction Dispositif de sécurité enfants ou Touches verrouil. est activée.	Reportez-vous au chapitre « Utilisation quotidienne ».
 et un chiffre s'affichent.	Une erreur s'est produite dans la table de cuisson.	Débranchez la table de cuisson de l'alimentation électrique pendant quelques minutes. Déconnectez le fusible de l'installation domestique. Rebranchez l'appareil. Si  s'affiche à nouveau, faites appel au service après-vente.

7.2 Si vous ne trouvez pas de solution...

Si vous ne trouvez pas de solution au problème, veuillez contacter votre revendeur ou un service après-vente agréé. Veuillez lui fournir les informations se trouvant sur la plaque signalétique. Donnez également la combinaison à 3 lettres et chiffres pour la vitrocéramique (située dans un des coins de la surface en verre) et le message d'erreur qui

s'affiche. Assurez-vous d'utiliser correctement la table de cuisson. En cas d'erreur de manipulation de la part de l'utilisateur, le déplacement du technicien du service après-vente ou du vendeur pourra être facturé, même en cours de garantie. Les instructions relatives au service après-vente et aux conditions de garantie figurent dans le livret de garantie.

8. INSTALLATION



AVERTISSEMENT!

Reportez-vous aux chapitres concernant la sécurité.

8.1 Avant l'installation

Avant d'installer la table de cuisson, notez les informations de la plaque

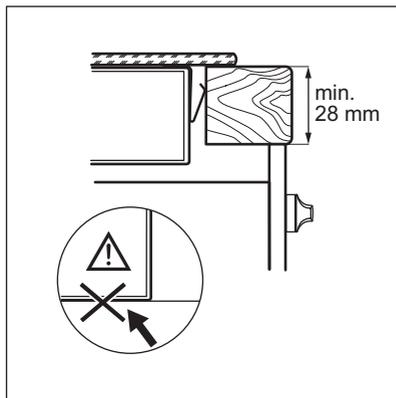
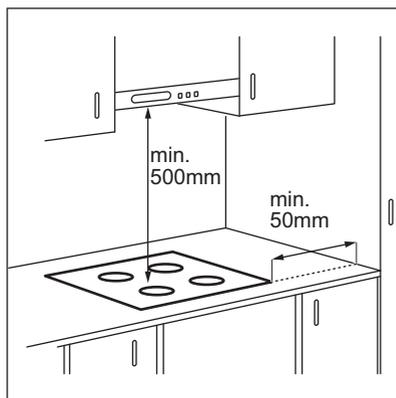
signalétique ci-dessous. La plaque signalétique se trouve au bas de la table de cuisson.

Numéro de série

8.2 Tables de cuisson intégrées

Les tables de cuisson encastrables ne peuvent être mises en fonctionnement qu'après avoir été installées dans des

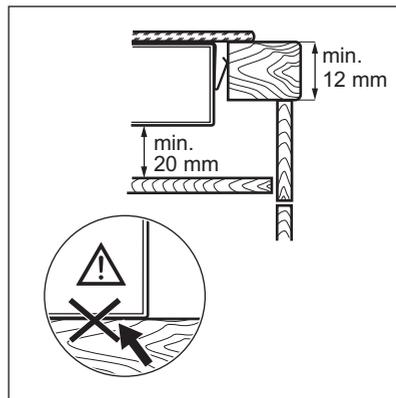
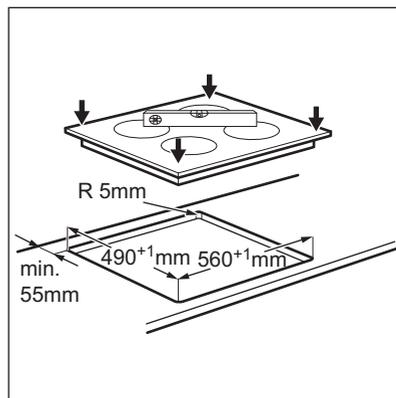
8.4 Montage



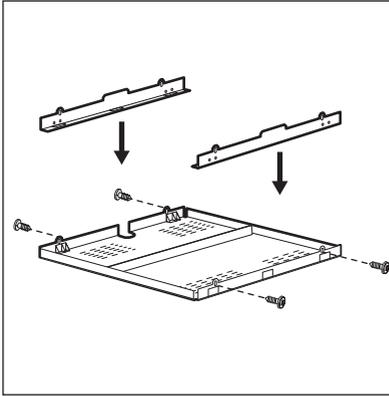
meubles et sur des plans de travail homologués et adaptés.

8.3 Câble d'alimentation

- La table de cuisson est fournie avec un câble d'alimentation.
- Pour remplacer le câble d'alimentation endommagé, utilisez le type de câble d'alimentation suivant (ou supérieur) : H05BB-F Tmax 90°C. Contactez votre service après-vente.



8.5 Enceinte de protection



Si vous utilisez une enceinte de protection (accessoire supplémentaire), le fond de protection installé directement sous la table de cuisson n'est plus nécessaire. L'enceinte de protection n'est pas disponible dans tous les pays. Veuillez contacter votre revendeur local.



Vous ne pouvez pas utiliser l'enceinte de protection si vous installez la table de cuisson au-dessus d'un four.

9. CARACTÉRISTIQUES TECHNIQUES

9.1 Plaque de calibrage

Modèle HK654070FB
Type 58 HAD 56 AO

Numéro de série
AEG

PNC 949 595 012 01
220 - 240 V 50 - 60 Hz
Fabriqué en Allemagne
7.1 kW



9.2 Caractéristiques des zones de cuisson

Zone de cuisson	Puissance nominale (niveau de cuisson max.) [W]	Diamètre de la zone de cuisson [mm]
Avant gauche	800 / 1600 / 2300	120 / 175 / 210
Arrière gauche	1200	145
Avant droite	1200	145
Arrière droite	1500 / 2400	170 / 265

Pour des résultats de cuisson optimaux, utilisez des récipients qui ne dépassent pas le diamètre de la zone de cuisson.

10. EN MATIÈRE DE PROTECTION DE L'ENVIRONNEMENT

Recyclez les matériaux portant le symbole . Déposez les emballages dans les conteneurs prévus à cet effet.

Contribuez à la protection de l'environnement et à votre sécurité, recyclez vos produits électriques et électroniques. Ne jetez pas les appareils

portant le symbole  avec les ordures ménagères. Emmenez un tel produit

dans votre centre local de recyclage ou contactez vos services municipaux.

INHALTSVERZEICHNIS

1. SICHERHEITSINFORMATIONEN.....	34
2. SICHERHEITSANWEISUNGEN.....	35
3. GERÄTEBESCHREIBUNG.....	38
4. TÄGLICHER GEBRAUCH.....	39
5. TIPPS UND HINWEISE.....	42
6. REINIGUNG UND PFLEGE.....	44
7. FEHLERSUCHE.....	44
8. MONTAGE.....	46
9. TECHNISCHE DATEN.....	48

FÜR PERFEKTE ERGEBNISSE

Danke, dass Sie sich für dieses AEG-Produkt entschieden haben. Wir haben es geschaffen, damit Sie viele Jahre von seiner ausgezeichneten Leistung und den innovativen Technologien, die Ihnen das Leben erleichtern, profitieren können. Es ist mit Funktionen ausgestattet, die in gewöhnlichen Geräten nicht vorhanden sind. Nehmen Sie sich ein paar Minuten Zeit zum Lesen, um seine Vorzüge kennen zu lernen.

Besuchen Sie uns auf unserer Website, um:



Anwendungshinweise, Prospekte, Fehlerbehebungs- und Service-Informationen zu erhalten:

www.aeg.com



Ihr erworbenes Produkt zu registrieren, um den besten Service dafür zu gewährleisten:

www.registeraeg.com



Zubehör, Verbrauchsmaterial und Original-Ersatzteile für Ihr Gerät zu erwerben:

www.aeg.com/shop

REPARATUR- UND KUNDENDIENST

Bitte verwenden Sie ausschließlich Original-Ersatzteile für Ihre Produkte. Halten Sie folgende Angaben bereit, wenn Sie sich an den Kundendienst wenden
Modell, Produktnummer (PNC), Seriennummer.
Diese Informationen finden Sie auf dem Typenschild.

 Warnungs-/ Sicherheitshinweise

 Allgemeine Informationen und Empfehlungen

 Informationen zum Umweltschutz

Änderungen vorbehalten.

1. ⚠️ SICHERHEITSINFORMATIONEN

Lesen Sie vor der Montage und dem Gebrauch des Geräts zuerst die Gebrauchsanleitung. Der Hersteller übernimmt keine Verantwortung für Verletzungen und Beschädigungen durch unsachgemäße Montage. Bewahren Sie die Gebrauchsanleitung griffbereit auf.

1.1 Sicherheit von Kindern und schutzbedürftigen Personen

- Das Gerät kann von Kindern ab 8 Jahren und Personen mit eingeschränkten physischen, sensorischen oder geistigen Fähigkeiten oder mit mangelnder Erfahrung und/oder mangelndem Wissen nur dann verwendet werden, wenn sie durch eine für ihre Sicherheit zuständige Person beaufsichtigt werden oder in die sichere Verwendung des Geräts eingewiesen wurden und die mit dem Gerät verbundenen Gefahren verstanden haben.
- Kinder dürfen nicht mit dem Gerät spielen.
- Alle Verpackungsmaterialien von Kindern fernhalten.
- Halten Sie Kinder und Haustiere während des Betriebs oder der Abkühlphase vom Gerät fern. Zugängliche Teile sind heiß.
- Falls Ihr Gerät mit einer Kindersicherung ausgestattet ist, empfehlen wir, diese einzuschalten.
- Wartung oder Reinigung des Geräts dürfen nicht von Kindern ohne Aufsicht erfolgen.
- Halten Sie Kinder unter 3 Jahren vom Gerät fern, wenn sie nicht ständig beaufsichtigt werden.

1.2 Allgemeine Sicherheit

- Das Gerät und die zugänglichen Geräteteile werden während des Betriebs heiß. Berühren Sie nicht die Heizelemente.
- Schalten Sie das Gerät nicht über eine externe Zeitschaltuhr oder eine separate Fernsteuerung ein.

- Kochen mit Fett oder Öl auf einem unbeaufsichtigten Kochfeld ist gefährlich und kann zu einem Brand führen.
- Versuchen Sie nicht einen Brand mit Wasser zu löschen, sondern schalten Sie das Gerät aus und bedecken Sie die Flamme mit einem Deckel oder einer Feuerlöschdecke.
- Legen Sie keine Gegenstände auf dem Kochfeld ab.
- Legen Sie keine Metallgegenstände wie Messer, Gabeln, Löffel oder Topfdeckel auf die Oberfläche des Kochfelds, da diese heiß werden können.
- Benutzen Sie zum Reinigen des Geräts keinen Dampfreiniger.
- Schalten Sie das Gerät sofort ab, wenn Sie Risse auf der Glaskeramik-/Glasfläche feststellen. Stromschlaggefahr!
- Wenn das Netzkabel beschädigt ist, muss es vom Hersteller, seinem autorisierten Kundenservice oder einer gleichermaßen qualifizierten Person ausgetauscht werden, um Gefahrenquellen zu vermeiden.

2. SICHERHEITSANWEISUNGEN

2.1 Montage



WARNUNG!

Nur eine qualifizierte Fachkraft darf den elektrischen Anschluss des Geräts vornehmen.

- Entfernen Sie das Verpackungsmaterial.
- Stellen Sie ein beschädigtes Gerät nicht auf und benutzen Sie es nicht.
- Halten Sie sich an die mitgelieferte Montageanleitung.
- Die Mindestabstände zu anderen Geräten und Küchenmöbeln sind einzuhalten.
- Seien Sie beim Umsetzen des Geräts vorsichtig, denn es ist schwer. Tragen Sie stets Sicherheitshandschuhe.
- Dichten Sie die Ausschnittskanten mit einem Dichtungsmittel ab, um ein Aufquellen durch Feuchtigkeit zu verhindern.
- Schützen Sie die Geräteunterseite vor Dampf und Feuchtigkeit.
- Installieren Sie das Gerät nicht direkt neben einer Tür oder unter einem Fenster. So kann heißes Kochgeschirr nicht herunterfallen, wenn die Tür oder das Fenster geöffnet wird.
- Wird das Gerät über Schubladen eingebaut, achten Sie darauf, dass zwischen dem Geräteboden und der oberen Schublade ein ausreichender Abstand für die Luftzirkulation vorhanden ist.
- Der Boden des Geräts kann heiß werden. Achten Sie darauf eine feuerfeste Trennplatte unter dem Gerät anzubringen, damit der Boden nicht zugänglich ist.

2.2 Elektrischer Anschluss



WARNUNG!

Brand- und Stromschlaggefahr.

- Alle elektrischen Anschlüsse sind von einem geprüften Elektriker vorzunehmen.
- Das Gerät muss geerdet sein.
- Vor der Durchführung jeglicher Arbeiten muss das Gerät von der elektrischen Stromversorgung getrennt werden.
- Stellen Sie sicher, dass die elektrischen Daten auf dem Typenschild den Daten Ihrer Stromversorgung entsprechen. Wenden Sie sich andernfalls an eine Elektrofachkraft.
- Achten Sie darauf, dass das Gerät ordnungsgemäß montiert wird. Wenn freiliegende oder ungeeignete Netzkabel oder Netzstecker (fall vorhanden) verwendet werden, kann der Anschluss überhitzen.
- Stellen Sie sicher, dass Sie das richtige Kabel für den elektrischen Netzanschluss verwenden.
- Achten Sie darauf, dass das Netzkabel nicht lose hängt oder sich verheddert.
- Sorgen Sie dafür, dass ein Berührungsschutz installiert wird.
- Verwenden Sie die Zugentlastung für das Kabel.
- Stellen Sie beim elektrischen Anschluss des Gerätes sicher, dass das Netzkabel oder ggf. der Netzstecker nicht mit dem heißen Gerät oder heißem Kochgeschirr in Berührung kommt.
- Verwenden Sie keine Mehrfachsteckdosen oder Verlängerungskabel.
- Achten Sie darauf, Netzstecker (falls vorhanden) und Netzkabel nicht zu beschädigen. Wenden Sie sich zum Austausch des beschädigten Netzkabels an den autorisierten Kundendienst oder eine Elektrofachkraft.
- Alle Teile, die gegen direktes Berühren schützen sowie die isolierten Teile müssen so befestigt werden, dass sie nicht ohne Werkzeug entfernt werden können.

- Stecken Sie den Netzstecker erst nach Abschluss der Montage in die Steckdose. Stellen Sie sicher, dass der Netzstecker nach der Montage noch zugänglich ist.
- Falls die Steckdose lose ist, schließen Sie den Netzstecker nicht an.
- Ziehen Sie nicht am Netzkabel, wenn Sie das Gerät von der Stromversorgung trennen möchten. Ziehen Sie stets am Netzstecker.
- Verwenden Sie nur geeignete Trennvorrichtungen: Überlastschalter, Sicherungen (Schraubsicherungen müssen aus dem Halter entfernt werden können), Fehlerstromschutzschalter und Schütze.
- Die elektrische Installation muss eine Trenneinrichtung aufweisen, mit der Sie das Gerät allpolig von der Stromversorgung trennen können. Die Trenneinrichtung muss mit einer Kontaktöffnungsweite von mindestens 3 mm ausgeführt sein.

2.3 Gebrauch



WARNUNG!

Verletzungs-, Verbrennungs- und Stromschlaggefahr.

- Entfernen Sie vor dem ersten Gebrauch das gesamte Verpackungsmaterial, die Aufkleber und Schutzfolie (falls vorhanden).
- Das Gerät ist für die Verwendung im Haushalt vorgesehen.
- Nehmen Sie keine technischen Änderungen am Gerät vor.
- Die Lüftungsöffnungen dürfen nicht abgedeckt werden.
- Lassen Sie das Gerät bei Betrieb nicht unbeaufsichtigt.
- Schalten Sie die Kochzonen nach jedem Gebrauch aus.
- Legen Sie kein Besteck und keine Topfdeckel auf die Kochzonen. Sie werden heiß.
- Bedienen Sie das Gerät nicht mit feuchten oder nassen Händen oder wenn es mit Wasser in Kontakt gekommen ist.
- Benutzen Sie das Gerät nicht als Arbeits- oder Abstellfläche.

- Hat die Geräteoberfläche einen Sprung, trennen Sie das Gerät umgehend von der Spannungsversorgung. Dies dient zur Vermeidung eines Stromschlags.
- Wenn Sie Nahrungsmittel in heißes Öl geben, kann dieses spritzen.

**WARNUNG!**

Brand- und Explosionsgefahr!

- Erhitzte Öle und Fette können brennbare Dämpfe freisetzen. Halten Sie Flammen und erhitzte Gegenstände beim Kochen mit Fetten und Ölen von diesen fern.
- Die von sehr heißem Öl freigesetzten Dämpfe können eine Selbstzündung verursachen.
- Bereits verwendetes Öl kann Lebensmittelreste enthalten und schon bei niedrigeren Temperaturen eher einen Brand verursachen als frisches Öl.
- Platzieren Sie keine entflammaren Produkte oder Gegenstände, die mit entflammaren Produkten benetzt sind, im Gerät, auf dem Gerät oder in der Nähe des Geräts.

**WARNUNG!**

Das Gerät könnte beschädigt werden.

- Stellen Sie kein heißes Kochgeschirr auf das Bedienfeld.
- Lassen Sie das Kochgeschirr nicht leerkochen.
- Lassen Sie keine Gegenstände oder Kochgeschirr auf das Gerät fallen. Die Oberfläche könnte beschädigt werden.
- Schalten Sie die Kochzonen niemals ein, wenn sich kein Kochgeschirr darauf befindet, oder wenn das Kochgeschirr leer ist.
- Legen Sie keine Alufolie auf das Gerät.
- Kochgeschirr aus Gusseisen oder Aluminiumguss oder mit

beschädigten Böden kann die Glas-/ Glaskeramikoberfläche verkratzen. Heben Sie das Kochgeschirr stets an, wenn Sie es auf der Kochfläche umsetzen möchten.

- Dieses Gerät ist nur zum Kochen bestimmt. Jeder andere Gebrauch ist als bestimmungsfremd anzusehen, zum Beispiel das Beheizen eines Raums.

2.4 Reinigung und Pflege

- Reinigen Sie das Gerät regelmäßig, um eine Abnutzung des Oberflächenmaterials zu verhindern.
- Schalten Sie das Gerät vor dem Reinigen aus und lassen Sie es abkühlen.
- Trennen Sie das Gerät vor Wartungsarbeiten von der Spannungsversorgung.
- Reinigen Sie das Gerät nicht mit einem Wasser- oder Dampfstrahl.
- Reinigen Sie das Gerät mit einem weichen, feuchten Tuch. Verwenden Sie ausschließlich Neutralreiniger. Benutzen Sie keine Scheuermittel, scheuernde Reinigungsschwämmchen, Lösungsmittel oder Metallgegenstände.

2.5 Entsorgung

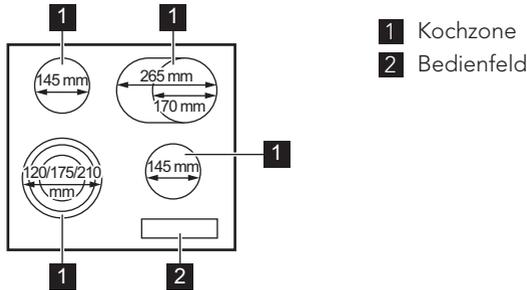
**WARNUNG!**

Verletzungs- und Erstickungsgefahr.

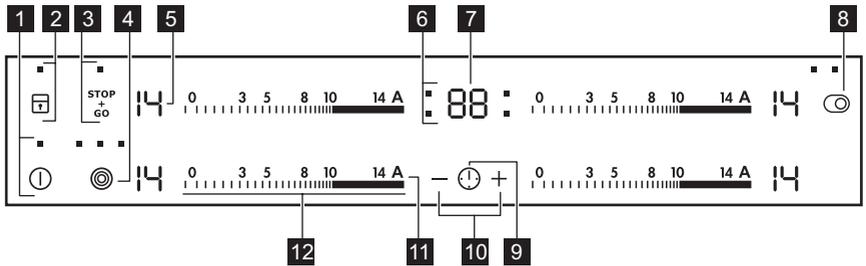
- Für Informationen zur ordnungsgemäßen Entsorgung des Geräts wenden Sie sich an die zuständige kommunale Behörde vor Ort.
- Trennen Sie das Gerät von der Stromversorgung.
- Schneiden Sie das Netzkabel ab, und entsorgen Sie es.

3. GERÄTEBESCHREIBUNG

3.1 Kochfeldanordnung



3.2 Bedienfeldanordnung



Bedienen Sie das Gerät über die Sensorfelder. Die Anzeigen, Kontrolllampen und akustischen Signale informieren Sie über die aktiven Funktionen.

Sensorfeld	Funktion	Anmerkung	
1	ⓘ	EIN/AUS	Ein- und Ausschalten des Kochfeldes.
2	🔒	Tastensperre / Kindersicherung	Verriegeln/Entriegeln des Bedienfelds.
3	STOP + GO	STOP+GO	Ein- und Ausschalten der Funktion.
4	⊙	-	Ein- und Ausschalten des äußeren Kreises.
5	-	Kochstufenanzeige	Zeigt die Kochstufe an.
6	-	Kochzonen-Anzeigen des Timers	Zeigen an, für welche Kochzone die Zeit eingestellt wurde.
7	-	Timer-Anzeige	Zeigt die Zeit in Minuten an.
8	⊙	-	Ein- und Ausschalten des äußeren Kreises.

	Sensordfeld	Funktion	Anmerkung
9		-	Auswählen der Kochzone.
10		-	Erhöhen oder Verringern der Zeit.
11	A	Ankochautomatik	Ein- und Ausschalten der Funktion.
12	-	Einstellskala	Einstellen der Kochstufe.

3.3 Anzeigen der Kochstufen

Display	Beschreibung
	Die Kochzone ist ausgeschaltet.
	Die Kochzone ist eingeschaltet.
	Die Funktion STOP+GO ist in Betrieb.
	Die Funktion Ankochautomatik ist in Betrieb.
+ Zahl	Eine Störung ist aufgetreten.
	OptiHeat Control (Restwärmeanzeige, 3-stufig): Weitergaren/Warmhalten/Restwärme.
	Die Funktion Tastensperre /Kindersicherung ist in Betrieb.
	Die Funktion Abschaltautomatik ist in Betrieb.

3.4 OptiHeat Control (Restwärmeanzeige, 3-stufig)



WARNUNG!

Es besteht Verbrennungsgefahr durch Restwärme. Die Anzeige zeigt die Restwärmestufe an.

4. TÄGLICHER GEBRAUCH



WARNUNG!

Siehe Kapitel Sicherheitshinweise.

4.1 Ein- und Ausschalten

Berühren Sie 1 Sekunde lang , um das Kochfeld ein- oder auszuschalten.

4.2 Abschaltautomatik

Mit dieser Funktion wird das Kochfeld in folgenden Fällen automatisch ausgeschaltet:

- Alle Kochzonen sind ausgeschaltet.
- Nach dem Einschalten des Kochfelds wird keine Kochstufe gewählt.
- Das Bedienfeld ist mehr als 10 Sekunden mit verschütteten Lebensmitteln oder einem Gegenstand bedeckt (Topf, Tuch usw.). Ein akustisches Signal ertönt und das Kochfeld schaltet ab. Entfernen Sie den Gegenstand oder reinigen Sie das Bedienfeld.
- Eine Kochzone wurde nicht ausgeschaltet bzw. die Kochstufe wurde nicht geändert. Nach einer Weile leuchtet  auf und das Kochfeld schaltet sich aus.

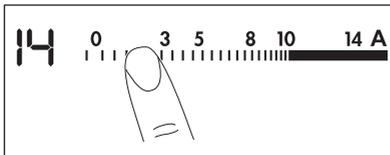
Verhältnis zwischen der Kochstufe und der Zeit, nach der das Kochfeld ausgeschaltet wird:

Kochstufe	Das Kochfeld wird ausgeschaltet nach
 1 - 3	6 Stunden
4 - 7	5 Stunden
8 - 9	4 Stunden
10 - 14	1,5 Stunden

4.3 Kochstufe

Einstellen oder Ändern der Kochstufe:

Berühren Sie die Einstellskala auf der gewünschten Kochstufe oder fahren Sie mit dem Finger entlang der Skala bis zur gewünschten Kochstufe.



4.4 Ein- und Ausschalten der äußeren Heizkreise

Die Kochflächen können an die Größe des Kochgeschirrs angepasst werden.

Verwenden Sie das Sensorfeld: 

Einschalten des äußeren Heizkreises:

Berühren Sie das Sensorfeld. Die Kontrolllampe leuchtet auf.

Einschalten weiterer äußerer

Heizkreise: Berühren Sie das Sensorfeld erneut. Die entsprechende Kontrolllampe leuchtet auf.

Ausschalten des äußeren Heizkreises:

Berühren Sie das Sensorfeld, bis die Kontrolllampe erlischt.



Wenn Sie die Kochzone ohne den äußeren Heizkreis einschalten, kann sich das Licht der Kochzone auf den äußeren Heizkreis ausbreiten. Dies bedeutet aber nicht, dass der äußere Heizkreis eingeschaltet ist. Prüfen Sie, ob die Kontrolllampe leuchtet, um zu sehen, ob der Heizkreis eingeschaltet ist.

4.5 Ankochautomatik

Wenn Sie diese Funktion einschalten, lässt sich die erforderliche Kochstufeneinstellung in kürzerer Zeit erzielen. Bei Verwendung dieser Funktion wird eine gewisse Zeit lang die höchste Kochstufe eingestellt und anschließend auf die erforderliche Stufe zurückgeschaltet.



Zum Einschalten der Funktion muss die Kochzone abgekühlt sein.

Einschalten der Funktion für eine

Kochzone: Berühren Sie **A**  (leuchtet). Berühren Sie dann gleich danach die gewünschte Kochstufe. Nach 3 Sekunden leuchtet .

Ausschalten der Funktion: Ändern Sie die Kochstufe.

4.6 Timer

Kurzzeitmesser

Mit dieser Funktion stellen Sie ein, wie lange eine Kochzone für einen einzelnen Kochvorgang eingeschaltet bleiben soll.

Stellen Sie zuerst die Kochzone und dann die Funktion ein. Sie können die Kochstufe einstellen, bevor Sie die Funktion einstellen oder danach.

Auswählen der Kochzone: Berühren Sie  so oft, bis die Kontrolllampe der gewünschten Kochzone aufleuchtet.

Einschalten der Funktion: Berühren Sie  des Timers, um die Zeit einzustellen (00 - 99 Minuten). Wenn die Kontrolllampe der Kochzone langsam blinkt, wird die Zeit heruntergezählt.

So wird die Restzeit angezeigt: Wählen Sie die Kochzone mit  aus. Die Kontrolllampe der Kochzone blinkt schneller. Das Display zeigt die Restzeit an.

Ändern der Zeit: Wählen Sie die Kochzone mit  aus. Berühren Sie  oder .

Ausschalten der Funktion: Wählen Sie die Kochzone mit  und berühren Sie . Die Restzeit wird auf 00 heruntergezählt. Die Kontrolllampe der Kochzone erlischt. Zum Ausschalten der Funktion können Sie auch  und  gleichzeitig berühren.



Wenn die eingestellte Zeit abgelaufen ist, ertönt ein Signalton und 00 blinkt. Die Kochzone wird ausgeschaltet.

Ausschalten des Signaltons: Berühren Sie .

CountUp Timer (Garzeitmesser)

Benutzen Sie diese Funktion, um festzustellen wie lange die Kochzone bereits in Betrieb ist.

Auswählen der Kochzone: Berühren Sie  so oft, bis die Kontrolllampe der gewünschten Kochzone aufleuchtet.

Einschalten der Funktion: Berühren Sie  des Timers.  leuchtet auf. Wenn die Kontrolllampe der Kochzone langsamer blinkt, wird die Zeit hochgezählt. Das Display schaltet um zwischen  und der abgelaufenen Zeit (Minuten).

So können Sie feststellen, wie lange die Kochzone bereits in Betrieb ist:

Wählen Sie die Kochzone mit  aus. Die Kontrolllampe der Kochzone blinkt schneller. Im Display wird die Einschaltdauer der Zone angezeigt.

Ausschalten der Funktion: Wählen Sie die Kochzone mit  und berühren Sie  oder . Die Kontrolllampe der Kochzone erlischt.

Kurzzeitwecker

Sie können diese Funktion als **Kurzzeit-Wecker** benutzen, wenn das Gerät eingeschaltet ist und die Kochzonen nicht in Betrieb sind (die Kochstufenanzeige  anzeigt).

Einschalten der Funktion: Berühren Sie . Berühren Sie  oder  des Timers, um die Zeit einzustellen. Wenn die eingestellte Zeit abgelaufen ist, ertönt ein Signalton und 00 blinkt.

Ausschalten des Signaltons: Berühren Sie .



Die Funktion hat keine Auswirkung auf den Kochzonenbetrieb.

4.7 STOP+GO

Mit dieser Funktion werden alle eingeschalteten Kochzonen auf die niedrigste Kochstufe geschaltet.

Ist die Funktion eingeschaltet, lässt sich die Kochstufe nicht ändern.

Die Funktion unterbricht nicht die Uhrfunktionen.

Einschalten der Funktion: Berühren Sie .  leuchtet.

Ausschalten der Funktion: Berühren Sie . Die vorherige Kochstufe wird angezeigt.

4.8 Tastensperre

Sie können das Bedienfeld sperren, wenn Kochzonen eingeschaltet sind. So wird verhindert, dass die Kochstufe versehentlich geändert wird.

Stellen Sie zuerst die Kochstufe ein.

Einschalten der Funktion: Berühren Sie   leuchtet 4 Sekunden. Der Timer bleibt eingeschaltet.

Ausschalten der Funktion: Berühren Sie . Die vorherige Kochstufe wird angezeigt.



Diese Funktion wird auch ausgeschaltet, sobald das Kochfeld ausgeschaltet wird.

4.9 Kindersicherung

Diese Funktion verhindert ein versehentliches Einschalten des Kochfelds.

Zum Einschalten der Funktion: Schalten Sie das Kochfeld mit  ein. Stellen Sie keine Kochstufe ein. Berühren Sie  vier Sekunden.  leuchtet. Schalten Sie das Kochfeld mit  aus.

Zum Ausschalten der Funktion:

Schalten Sie das Kochfeld mit  ein. Stellen Sie keine Kochstufe ein. Berühren Sie  vier Sekunden.  leuchtet. Schalten Sie das Kochfeld mit  aus.

Vorübergehendes Ausschalten der Funktion für einen einzelnen Kochvorgang: Schalten Sie das Kochfeld mit  ein. Die Kontrolllampe  leuchtet. Berühren Sie 4 Sekunden lang . **Stellen Sie die Kochstufe innerhalb von 10 Sekunden ein.** Das Kochfeld kann jetzt benutzt werden. Wenn Sie das Kochfeld mit  ausschalten, wird diese Funktion wieder eingeschaltet.

4.10 OffSound Control (Ein- und Ausschalten des Signaltons)

Schalten Sie das Kochfeld aus. Berühren Sie 3 Sekunden lang . Das Display wird ein- und ausgeschaltet. Berühren Sie 3 Sekunden lang . Es wird  oder  angezeigt. Berühren Sie  des Timers zum Auswählen von:

-  - Der Signalton ist ausgeschaltet
 -  - Der Signalton ist eingeschaltet
- Warten Sie, bis das Kochfeld automatisch ausgeschaltet wird, um Ihre Auswahl zu bestätigen.

Haben Sie die Funktion auf  eingestellt, ertönt der Signalton nur in folgenden Fällen:

- Bei der Berührung von 
- Kurzzeitwecker erlischt
- Kurzzeitmesser erlischt
- Wenn das Bedienfeld bedeckt ist.

5. TIPPS UND HINWEISE



WARNUNG!
Siehe Kapitel Sicherheitshinweise.

5.1 Kochgeschirr



Der Boden des Kochgeschirrs sollte so dick und flach wie möglich sein.



Kochgeschirr aus Stahlernaille oder mit Aluminium- oder Kupferböden kann Verfärbungen der Glaskeramikoberfläche verursachen.

5.2 Energie sparen

- Decken Sie Kochgeschirr, wenn möglich, mit einem Deckel ab.
- Setzen Sie das Kochgeschirr vor dem Einschalten der Kochzone auf.

- Nutzen Sie die Restwärme, um die Speisen warm zu halten oder zu schmelzen.
- Kochgeschirrboden und Kochzone sollten gleich groß sein.

5.3 Öko Timer (Öko-Timer)

Um Energie zu sparen, schaltet sich die Kochzonenheizung vor dem Signal des

Kurzzeitmessers ab. Die Abschaltzeit hängt von der eingestellten Kochstufe und der Gardauer ab.

5.4 Anwendungsbeispiele zum Kochen



Bei den Angaben in der folgenden Tabelle handelt es sich um Richtwerte.

Kochstufe	Verwendung:	Dauer (Min.)	Hinweise
 - 1	Warmhalten von gegarten Speisen.	Nach Bedarf	Legen Sie einen Deckel auf das Kochgeschirr.
1 - 3	Sauce Hollandaise, Schmelzen von: Butter, Schokolade, Gelatine.	5 - 25	Gelegentlich umrühren.
1 - 3	Stocken: Lockere Omeletts, gebackene Eier.	10 - 40	Mit Deckel garen.
3 - 5	Köcheln von Reis und Milchgerichten, Erhitzen von Fertiggerichten.	25 - 50	Mindestens doppelte Menge Flüssigkeit zum Reis geben, Milchgerichte zwischendurch umrühren.
5 - 7	Dünsten von Gemüse, Fisch, Fleisch.	20 - 45	Einige Esslöffel Flüssigkeit hinzugeben.
7 - 9	Dampfgaren von Kartoffeln.	20 - 60	Max. ¼ l Wasser für 750 g Kartoffeln verwenden.
7 - 9	Kochen größerer Speisemengen, Eintopfgerichte und Suppen.	60 - 150	Bis zu 3 l Flüssigkeit plus Zutaten.
9 - 12	Bei geringer Hitze anbraten: Schnitzel, Cordon bleu, Kotelett, Frikadellen, Bratwürste, Leber, Mehlschwitze, Eier, Pfannkuchen, Donuts.	Nach Bedarf	Nach der Hälfte der Zeit wenden.
12 - 13	Braten bei starker Hitze: Rösti, Lendenstücke, Steaks.	5 - 15	Nach der Hälfte der Zeit wenden.
14	Aufkochen von Wasser, Nudeln kochen, Anbraten von Fleisch (Gulasch, Schmorbraten), Frittieren von Pommes frites.		

6. REINIGUNG UND PFLEGE



WARNUNG!

Siehe Kapitel
Sicherheitshinweise.

6.1 Allgemeine Informationen

- Reinigen Sie das Kochfeld nach jedem Gebrauch.
- Achten Sie immer darauf, dass der Boden des Kochgeschirrs sauber ist.
- Kratzer oder dunkle Flecken auf der Oberfläche beeinträchtigen die Funktionsfähigkeit des Kochfelds nicht.
- Verwenden Sie einen Spezialreiniger zur Reinigung der Kochfeldoberfläche.
- Verwenden Sie einen speziellen Reinigungsschaber für Glas.

6.2 Reinigen des Kochfelds

- **Folgendes muss sofort entfernt werden:** geschmolzener Kunststoff,

Plastikfolie, zuckerhaltige Lebensmittel. Andernfalls können die Verschmutzungen das Kochfeld beschädigen. Den speziellen Reinigungsschaber schräg zur Glasfläche ansetzen und über die Oberfläche bewegen.

- **Folgendes kann nach ausreichender Abkühlung des Kochfelds entfernt werden:** Kalk- und Wasserränder, Fettspritzer und metallisch schimmernde Verfärbungen. Reinigen Sie das Kochfeld mit einem feuchten Tuch und etwas Spülmittel. Wischen Sie das Kochfeld nach der Reinigung mit einem weichen Tuch trocken.

7. FEHLERSUCHE



WARNUNG!

Siehe Kapitel
Sicherheitshinweise.

7.1 Was tun, wenn ...

Problem	Mögliche Ursache	Abhilfe
Das Kochfeld kann nicht eingeschaltet oder bedient werden.	Das Kochfeld ist nicht oder nicht ordnungsgemäß an die Spannungsversorgung angeschlossen.	Prüfen Sie, ob das Kochfeld ordnungsgemäß an die Spannungsversorgung angeschlossen ist. Nehmen Sie dazu den Anschlussplan zu Hilfe.
	Die Sicherung hat ausgelöst.	Vergewissern Sie sich, dass die Sicherung der Grund für die Störung ist. Löst die Sicherung wiederholt aus, wenden Sie sich an eine zugelassene Elektrofachkraft.

Problem	Mögliche Ursache	Abhilfe
		Schalten Sie das Kochfeld erneut ein und stellen Sie innerhalb von 10 Sekunden die Kochstufe ein.
	Zwei oder mehr Sensorfelder wurden gleichzeitig berührt.	Berühren Sie nur ein Sensorfeld.
	Die Funktion STOP+GO ist in Betrieb.	Siehe Kapitel „Täglicher Gebrauch“.
	Wasser- oder Fettspritzer befinden sich auf dem Bedienfeld.	Wischen Sie das Bedienfeld ab.
Ein akustisches Signal ertönt und das Kochfeld schaltet ab. Wenn das Kochfeld ausgeschaltet wird, ertönt ein akustisches Signal.	Mindestens ein Sensorfeld wurde bedeckt.	Entfernen Sie den Gegenstand von den Sensorfeldern.
Das Kochfeld wird ausgeschaltet.	Sie haben etwas auf das Sensorfeld  gestellt.	Entfernen Sie den Gegenstand vom Sensorfeld.
Restwärmanzeige leuchtet nicht.	Die Kochzone ist nicht heiß, da sie nur kurze Zeit in Betrieb war.	War die Kochzone lange genug eingeschaltet, um heiß zu sein, wenden Sie sich an den autorisierten Kundendienst.
Die Funktion Ankochautomatik wird nicht ausgeführt.	Die Kochzone ist heiß.	Lassen Sie die Kochzone lange genug abkühlen.
	Die höchste Kochstufe ist eingestellt.	Die höchste Kochstufe hat die gleiche Leistung wie die Funktion.
Der äußere Heizkreis lässt sich nicht einschalten.		Schalten Sie zuerst den inneren Heizkreis ein.
 In der Mehrkreis-Kochzone befindet sich ein dunkler Bereich.	Es ist normal, dass sich in der Mehrkreis-Kochzone ein dunkler Bereich befindet.	
Die Sensorfelder werden heiß.	Das Kochgeschirr ist zu groß, oder Sie haben es zu nahe an die Bedienelemente gestellt.	Stellen Sie großes Kochgeschirr nach Möglichkeit auf die hinteren Kochzonen.

Problem	Mögliche Ursache	Abhilfe
Es ertönt kein Signalton, wenn Sie die Sensorfelder des Bedienfelds berühren.	Der Signalton ist ausgeschaltet.	Schalten Sie den Signalton ein. Siehe Kapitel „Täglicher Gebrauch“.
 leuchtet auf.	Abschaltautomatik ist eingeschaltet.	Schalten Sie das Kochfeld aus und wieder ein.
 leuchtet auf.	Die Funktion Kindersicherung oder Tastensperre ist in Betrieb.	Siehe Kapitel „Täglicher Gebrauch“.
 und eine Zahl werden angezeigt.	Es ist ein Fehler im Kochfeld aufgetreten.	Trennen Sie das Kochfeld eine Zeit lang vom Stromnetz. Schalten Sie die Sicherung im Sicherungskasten der Hausinstallation aus. Schalten Sie die Sicherung wieder ein. Wenn  erneut aufleuchtet, wenden Sie sich an den autorisierten Kundendienst.

7.2 Wenn Sie das Problem nicht lösen können...

Wenn Sie das Problem nicht selbst lösen können, wenden Sie sich an den Händler oder einen autorisierten Kundendienst. Geben Sie die Daten an, die Sie auf dem Typenschild finden. Geben Sie dabei den dreistelligen Buchstaben-Code für die Glaskeramik (befindet sich in der Ecke der Glasfläche) und die angezeigte

Fehlermeldung an. Vergewissern Sie sich, dass Sie das Kochfeld richtig bedient haben. Wenn Sie das Gerät falsch bedient haben, fällt auch während der Garantiezeit für die Reparatur durch einen Techniker oder Händler eine Gebühr an. Die Informationen zum Kundendienst und die Garantiebedingungen finden Sie im Garantieheft.

8. MONTAGE



WARNUNG!
Siehe Kapitel
Sicherheitshinweise.

8.1 Vor der Montage

Notieren Sie vor der Montage des Kochfelds folgende Daten, die Sie auf dem Typenschild finden. Das Typenschild ist auf dem Boden des Kochfelds angebracht.

Seriennummer

8.2 Einbau-Kochfelder

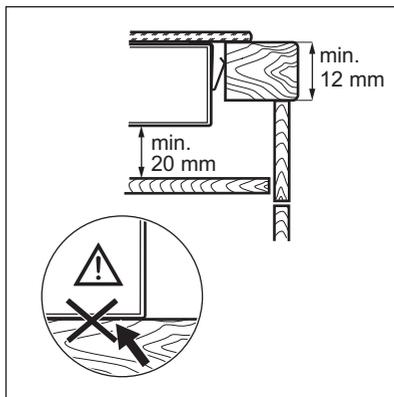
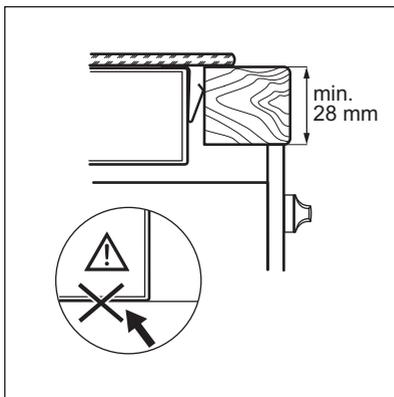
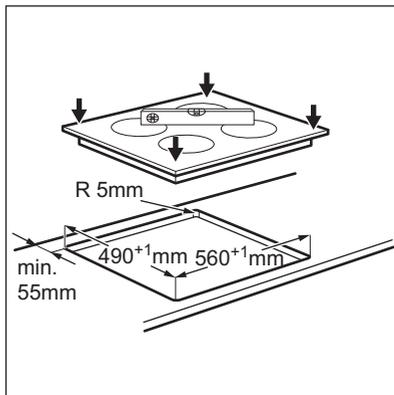
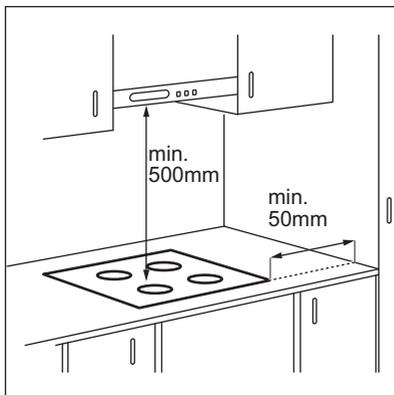
Einbau-Kochfelder dürfen nur nach dem Einbau in bzw. unter normgerechte, passende Einbauschränke und Arbeitsplatten betrieben werden.

8.3 Anschlusskabel

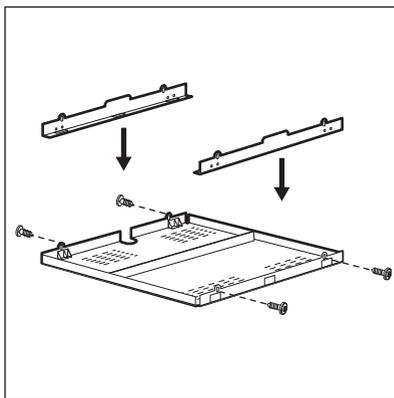
- Das Kochfeld wird mit Anschlusskabel geliefert.
- Ersetzen Sie ein defektes Netzkabel durch ein Netzkabel des folgenden oder eines höheren Typs: H05BB-F

Tmax 90°C. Wenden Sie sich an den Kundendienst.

8.4 Montage



8.5 Schutzboden



Falls Sie einen Schutzboden (optionales Zubehör) verwenden, ist die Schutzmatte direkt unter dem Gerät nicht nötig. Der Schutzboden ist möglicherweise in einigen Ländern nicht erhältlich. Wenden Sie sich an Ihren Händler vor Ort.



Wenn Sie das Kochfeld über einem Backofen einsetzen, können Sie den Schutzboden nicht verwenden.

9. TECHNISCHE DATEN

9.1 Typenschild

Modell HK654070FB
Typ 58 HAD 56 AO

Ser. Nr.
AEG

Produkt-Nummer (PNC) 949 595 012 01
220 - 240 V, 50 - 60 Hz
Made in Germany
7.1 kW


9.2 Technische Daten der Kochzonen

Kochzone	Nennleistung (höchste Kochstufe) [W]	Durchmesser der Kochzone [mm]
Vorne links	800 / 1600 / 2300	120 / 175 / 210
Hinten links	1200	145
Vorne rechts	1200	145
Hinten rechts	1500 / 2400	170 / 265

Verwenden Sie für optimale Kochergebnisse kein Kochgeschirr

dessen Durchmesser größer als der der Kochzone ist.

10. UMWELTTIPPS

Recyceln Sie Materialien mit dem Symbol . Entsorgen Sie die Verpackung in den entsprechenden Recyclingbehältern. Recyceln Sie zum Umwelt- und Gesundheitsschutz elektrische und elektronische Geräte. Entsorgen Sie

Geräte mit diesem Symbol  nicht mit dem Hausmüll. Bringen Sie das Gerät zu Ihrer örtlichen Sammelstelle oder wenden Sie sich an Ihr Gemeindeamt.

www.aeg.com/shop



867311415-A-332014



 **AEG**
perfekt in form und funktion