



### Professional performance thanks to larger cooking area

This hob's larger cooking area provides the space you need to cook to professional standards, especially when larger, specialist pans are required.

AEG-Electrolux949 595 010

## Product Benefits & Features

### Maximise your cooking options

This hob has both an extendable zone and an oval multipurpose zone, so you have much wider choice over the size or shape of the pots and pans you use.

### Optimise your time by efficient use of power

Make the most of your time thanks to this hob's Automax function. It heats your hob up extra-quickly, so you can get cooking straight away.

### Keep complete control over cooking time

The adjustable timer, which lasts up to 99 minutes, reminds you of the cooking time and also acts as a minute minder when you're not using the hob itself.

### A hob that cannot be mischievously switched on

The child safety lock ensures that the hob cannot be accidentally – or mischievously – switched on.

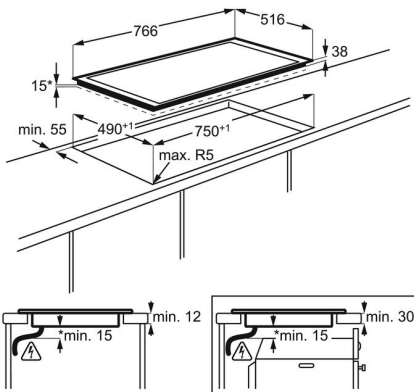
- Independent hob with controls
- Fast heating highlight cooking zones
- Number cooking zones
- New XL frame concept OptiFit Frame™
- Stop and Go function for short interruptions
- Illuminated controls
- Automatic fast heating up
- Timer function
- Residual heating indicator: 7 Segments
- Acoustic signal
- Child safety lock function
- Key-lock function
- Hob safety: Automatic Switch Off
- Protection Box
- OptiFix™: extremely fast installation concept
- Ceramic glass colour: Black

**Product Specification**

Installation	Independent
Product Number Code	949 595 010
EAN	7332543104123
Built in height mm	38
Width mm	766
Depth mm	516
Width cutting	750
Depth cutting	490
Frame Colour - colour of the frame	Stainless Steel
Hob type	Ceramic Glass
Cord length external	1.5
Type of plug	No
Total electricity loading	7000
Left front - Power/Diameter	750/2200W/120/210mm
Rear - Power/Diameter	1200W/145mm
Right front - Power/Diameter	1200W/145mm
Right rear - Power/Diameter	1500/2400W/170x265mm
Voltage	220-240
Weight gross cleaner and accessories with packaging	10.2
Weight net cleaner and accessories no packaging	9.2
Package height	118
Package width	868
Package depth	600

Weight package Corrugated Cardboard	640
Weight package Paper/Carton	0
Weight package Wood	0
Weight package PE	0
Weight package PP	5
Weight package Polystyrene (EPS/EPP)	314
Weight package PU	0
Weight package Iron	0
Weight package Rubber	0
Protection box model den./PNC	PBOX-8R9I/944 189 315
Country of origin	DE

PSGBHO130D000078



PSGBHO210DE000002

