

EN	<b>User Manual</b>	2
	Fridge Freezer	
FR	<b>Notice d'utilisation</b>	19
	Réfrigérateur/congélateur	
DE	<b>Benutzerinformation</b>	37
	Kühl - Gefrierschrank	
ES	<b>Manual de instrucciones</b>	56
	Frigorífico-congelador	

# USER MANUAL



## CONTENTS

1. SAFETY INFORMATION.....	2
2. SAFETY INSTRUCTIONS.....	4
3. INSTALLATION.....	6
4. OPERATION.....	7
5. DAILY USE.....	8
6. HINTS AND TIPS.....	10
7. CARE AND CLEANING.....	11
8. TROUBLESHOOTING.....	12
9. NOISES.....	15
10. TECHNICAL DATA.....	16

## FOR PERFECT RESULTS

Thank you for choosing this AEG product. We have created it to give you impeccable performance for many years, with innovative technologies that help make life simpler - features you might not find on ordinary appliances. Please spend a few minutes reading to get the very best from it.

Visit our website for:



Get usage advice, brochures, trouble shooter, service information:  
**[www.aeg.com/webselfservice](http://www.aeg.com/webselfservice)**



Register your product for better service:  
**[www.registeraeg.com](http://www.registeraeg.com)**



Buy Accessories, Consumables and Original spare parts for your appliance:  
**[www.aeg.com/shop](http://www.aeg.com/shop)**

## CUSTOMER CARE AND SERVICE

Always use original spare parts.

When contacting our Authorised Service Centre, ensure that you have the following data available: Model, PNC, Serial Number.

The information can be found on the rating plate.

 Warning / Caution-Safety information

 General information and tips

 Environmental information

Subject to change without notice.

### 1. SAFETY INFORMATION

Before the installation and use of the appliance, carefully read the supplied instructions. The manufacturer is not responsible for any injuries or damage that are the result of incorrect installation or

usage. Always keep the instructions in a safe and accessible location for future reference.

## 1.1 Children and vulnerable people safety

- This appliance can be used by children aged from 8 years and above and persons with reduced physical, sensory or mental capabilities or lack of experience and knowledge if they have been given supervision or instruction concerning the use of the appliance in a safe way and understand the hazards involved.
- This appliance may be used by children between 3 and 8 years of age and persons with very extensive and complex disabilities, if they have been properly instructed.
- Children of less than 3 years of age should be kept away from the appliance unless continuously supervised.
- Do not let children play with the appliance.
- Children shall not carry out cleaning and user maintenance of the appliance without supervision.
- Keep all packaging away from children and dispose of it appropriately.

## 1.2 General Safety

- This appliance is intended to be used in household and similar applications such as:
  - Farm houses; staff kitchen areas in shops, offices and other working environments
  - By clients in hotels, motels, bed and breakfast and other residential type environments
- **WARNING:** Keep ventilation openings, in the appliance enclosure or in the built-in structure, clear of obstruction.
- **WARNING:** Do not use mechanical devices or other means to accelerate the defrosting process, other than those recommended by the manufacturer.
- **WARNING:** Do not damage the refrigerant circuit.

- **WARNING:** Do not use electrical appliances inside the food storage compartments of the appliance, unless they are of the type recommended by the manufacturer.
- Do not use water spray and steam to clean the appliance.
- Clean the appliance with a moist soft cloth. Only use neutral detergents. Do not use abrasive products, abrasive cleaning pads, solvents or metal objects.
- Do not store explosive substances such as aerosol cans with a flammable propellant in this appliance.
- If the supply cord is damaged, it must be replaced by the manufacturer, its Authorised Service Centre or similarly qualified persons in order to avoid a hazard.

## 2. SAFETY INSTRUCTIONS

### 2.1 Installation



#### **WARNING!**

Only a qualified person must install this appliance.

- Remove all the packaging.
- Do not install or use a damaged appliance.
- Do not use the appliance before installing it in the built-in structure due to safety manner.
- Follow the installation instructions supplied with the appliance.
- Always take care when moving the appliance as it is heavy. Always use safety gloves and enclosed footwear.
- Make sure the air can circulate around the appliance.
- At first installation or after reversing the door wait at least 4 hours before connecting the appliance to the power supply. This is to allow the oil to flow back in the compressor.
- Before carrying out any operations on the appliance (e.g. reversing the door), remove the plug from the power socket.
- Do not install the appliance close to radiators or cookers, ovens or hobs.
- Do not expose the appliance to the rain.

- Do not install the appliance where there is direct sunlight.
- Do not install this appliance in areas that are too humid or too cold.
- When you move the appliance, lift it by the front edge to avoid scratching the floor.
- The appliance contains a bag of desiccant. This is not a toy. This is not food. Please dispose of it immediately.

### 2.2 Electrical connection



#### **WARNING!**

Risk of fire and electric shock.



#### **WARNING!**

When positioning the appliance, ensure the supply cord is not trapped or damaged.



#### **WARNING!**

Do not use multi-plug adapters and extension cables.

- The appliance must be earthed.
- Make sure that the parameters on the rating plate are compatible with the

electrical ratings of the mains power supply.

- Always use a correctly installed shockproof socket.
- Make sure not to cause damage to the electrical components (e.g. mains plug, mains cable, compressor). Contact the Authorised Service Centre or an electrician to change the electrical components.
- The mains cable must stay below the level of the mains plug.
- Connect the mains plug to the mains socket only at the end of the installation. Make sure that there is access to the mains plug after the installation.
- Do not pull the mains cable to disconnect the appliance. Always pull the mains plug.

### 2.3 Use



#### **WARNING!**

Risk of injury, burns, electric shock or fire.



The appliance contains flammable gas, isobutane (R600a), a natural gas with a high level of environmental compatibility. Be careful not to cause damage to the refrigerant circuit containing isobutane.

- Do not change the specification of this appliance.
- Do not put electrical appliances (e.g. ice cream makers) in the appliance unless they are stated applicable by the manufacturer.
- If damage occurs to the refrigerant circuit, make sure that there are no flames and sources of ignition in the room. Ventilate the room.
- Do not let hot items to touch the plastic parts of the appliance.
- Do not put soft drinks in the freezer compartment. This will create pressure on the drink container.
- Do not store flammable gas and liquid in the appliance.
- Do not put flammable products or items that are wet with flammable products in, near or on the appliance.

- Do not touch the compressor or the condenser. They are hot.
- Do not remove or touch items from the freezer compartment if your hands are wet or damp.
- Do not freeze again food that has been thawed.
- Follow the storage instructions on the packaging of frozen food.
- Wrap the food in any food contact material before putting it in the freezer compartment.

### 2.4 Internal lighting



#### **WARNING!**

Risk of electric shock.

- The type of lamp used for this appliance is for household appliances only. Do not use it for house lighting.

### 2.5 Care and cleaning



#### **WARNING!**

Risk of injury or damage to the appliance.

- Before maintenance, deactivate the appliance and disconnect the mains plug from the mains socket.
- This appliance contains hydrocarbons in the cooling unit. Only a qualified person must do the maintenance and the recharging of the unit.
- Regularly examine the drain of the appliance and if necessary, clean it. If the drain is blocked, defrosted water collects in the bottom of the appliance.

### 2.6 Service

- To repair the appliance contact the Authorised Service Centre.
- Use original spare parts only.

### 2.7 Disposal



#### **WARNING!**

Risk of injury or suffocation.

- Disconnect the appliance from the mains supply.
- Cut off the mains cable and discard it.

- Remove the door to prevent children and pets to be closed inside of the appliance.
- The refrigerant circuit and the insulation materials of this appliance are ozone-friendly.
- The insulation foam contains flammable gas. Contact your

municipal authority for information on how to discard the appliance correctly.

- Do not cause damage to the part of the cooling unit that is near the heat exchanger.

## 3. INSTALLATION



**WARNING!**  
Refer to Safety chapters.



**WARNING!**  
Refer to installation instruction document to install your appliance.



**WARNING!**  
Fix the appliance in accordance with installation instruction document to avoid a risk of instability of the appliance.



Some functional problems might occur for some types of models when operating outside of that range. The correct operation can only be guaranteed within the specified temperature range. If you have any doubts regarding where to install the appliance, please turn to the vendor, to our customer service or to the nearest Authorised Service Centre.

### 3.1 Location

To ensure best performance, install the appliance well away from sources of heat such as radiators, boilers, direct sunlight etc. Make sure that air can circulate freely around the back of the cabinet.

### 3.2 Positioning

Install the appliance in a dry, well ventilated indoors where the ambient temperature corresponds to the climate class indicated on the rating plate of the appliance.

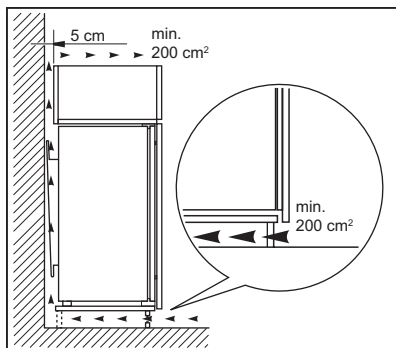
Climate class	Ambient temperature
SN	+10°C to + 32°C
N	+16°C to + 32°C
ST	+16°C to + 38°C
T	+16°C to + 43°C

### 3.3 Electrical connection

- Before plugging in, ensure that the voltage and frequency shown on the rating plate correspond to your domestic power supply.
- The appliance must be earthed. The power supply cable plug is provided with a contact for this purpose. If the domestic power supply socket is not earthed, connect the appliance to a separate earth in compliance with current regulations, consulting a qualified electrician.
- The manufacturer declines all responsibility if the above safety precautions are not observed.
- This appliance complies with the E.E.C. Directives.

### 3.4 Ventilation requirements

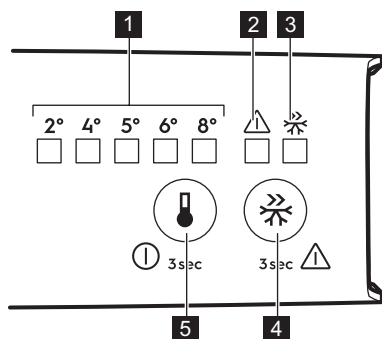
The airflow behind the appliance must be sufficient.



**CAUTION!**  
Refer to the assembly instructions for the installation.

## 4. OPERATION

### 4.1 Control panel



- 1 Temperature indicator LED
- 2 Freezer alarm indicator LED
- 3 Frostmatic indicator LED
- 4 Frostmatic button  
Reset alarm button
- 5 Temperature regulator  
ON/OFF button

### 4.2 Switching on

1. Insert the plug into the wall socket.
2. Touch the temperature regulator button if all LED indicators are off.

### 4.3 Switching off

Keep touching the temperature regulator button for 3 seconds. All indicators light off.

### 4.4 Temperature regulation

To operate the appliance, touch the temperature regulator until the LED corresponding to the required temperature lights up. Selection is progressive, varying from 2°C to 8°C.



Coldest setting: +2°C.  
Warmest setting: +8°C.  
A medium setting is generally the most suitable.

Choose the setting keeping in mind that the temperature inside the appliance depends on:

- room temperature
- frequency of opening the door
- quantity of food stored
- appliance location.

1. Touch temperature regulator. Current temperature indicator blinks. Any time you touch the temperature regulator, the setting moves by one position. The corresponding LED blinks for a while.

2. Touch the temperature regulator until the required temperature is selected.


#### 4.5 Frostmatic function

You can activate Frostmatic function by pressing the Frostmatic button.

The LED corresponding to the Frostmatic indicator lights up.

You can deactivate Frostmatic function by pressing the Frostmatic button again.

The Frostmatic indicator will light off.


-  This function stops automatically after 52 hours.

#### 4.6 High temperature alarm

When first starting-up the appliance or in case of an increase in the temperature in

the freezer compartment (for example due to an earlier power failure), the freezer alarm indicator starts to flash. The freezer alarm indicator lights off after normal conditions are restored.

To manually reset the freezer alarm, keep pressing the Frostmatic button for 3 seconds.


-  If the freezer alarm is on, it is necessary to reset it before any other operation can be performed. After the reset, the freezer alarm indicator becomes fixed until normal conditions are restored.

## 5. DAILY USE

-  **WARNING!**  
Refer to Safety chapters.

#### 5.1 Cleaning the interior

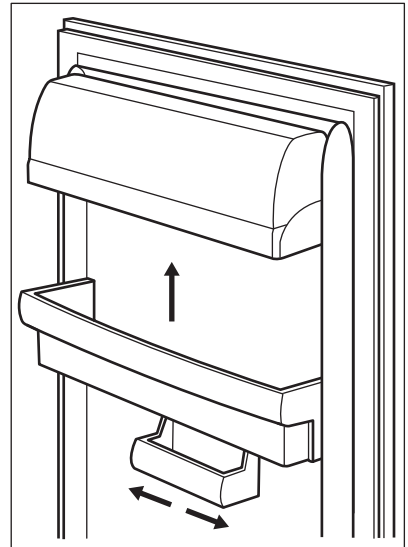
Before using the appliance for the first time, the interior and all internal accessories should be washed with lukewarm water and some neutral soap to remove the typical smell of a brand-new product, then dried thoroughly.

-  **CAUTION!**  
Do not use detergents, abrasive powders, chlorine or oil-based cleaners as they will damage the finish.

#### 5.2 Positioning the door shelves

To permit storage of food packages of various sizes, the door shelves can be placed at different heights.

1. Gradually pull the shelf up until it comes free.
2. Reposition as required.

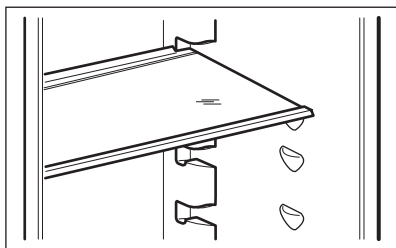


This model is equipped with a variable storage box which can be moved sideways.



### 5.3 Movable shelves

The walls of the refrigerator are equipped with a series of runners so that the shelves can be positioned as desired.



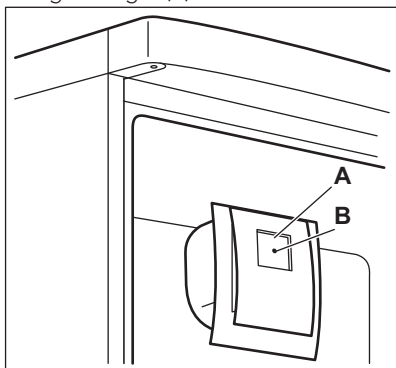
- i** Do not move the glass shelf above the vegetable drawer to ensure correct air circulation.

### 5.4 DYNAMICAIR function

The DYNAMICAIR function lets the food cool quickly and keeps more uniform temperature in the compartment.

- i** Switch on the DYNAMICAIR when the ambient temperature exceeds 25°C.

Press the switch (A) to switch on the fan. The green light (B) comes on.



- i** When you switch off the appliance remember to turn off the fan by pressing the button (A). The green light (B) comes off.

### 5.5 Freezing and storage of frozen food

The freezer compartment is suitable for freezing fresh food and storing frozen and deep-frozen food for a long time.

When first starting-up or after a period out of use, before putting the products in the compartment let the appliance run at least 2 hours with the Frostmatic function turned on. To freeze fresh food activate the Frostmatic function at least 24 hours before placing the food to be frozen in the freezer compartment.

To freeze fresh food place it in the middle compartment.

The maximum amount of food that can be frozen in 24 hours is specified on the **rating plate**, a label located on the inside of the appliance.

The freezing process lasts 24 hours, during this period do not add other food to be frozen.

In the event of accidental defrosting, for example due to a power failure, if the power has been off for longer than the value shown in the technical characteristics chart under "rising time", the defrosted food must be consumed quickly or cooked immediately and then re-frozen (after cooling).

### 5.6 Thawing

Deep-frozen or frozen food, prior to being used, can be thawed in the refrigerator compartment or at room temperature, depending on the time available for this operation.

Small pieces may even be cooked still frozen, directly from the freezer: in this case, cooking will take longer.

### 5.7 Ice-cube production

This appliance is equipped with one or more trays for the production of ice-cubes.

- i** Do not use metallic instruments to remove the trays from the freezer.

1. Fill these trays with water

- Put the ice trays in the freezer compartment.

## 6. HINTS AND TIPS

### 6.1 Normal operating sounds

The following sounds are normal during operation:

- A faint gurgling and bubbling sound from coils sound when refrigerant is pumped.
- A whirring and pulsating sound from the compressor when refrigerant is pumped.
- A sudden cracking noise from inside appliance caused by thermic dilatation (a natural and not dangerous physical phenomenon).
- A faint click noise from the temperature regulator when the compressor switches on or off.

### 6.2 Hints for energy saving

- Eco mode / default setting preserves fresh and frozen foods while saving energy.
- Fresh Food Compartment (Fridge): Most efficient use of energy is ensured in the configuration with the drawers in the bottom part of the appliance and shelves evenly distributed. Position of the door bins does not affect energy consumption.
- Frozen Compartment (Freezer): The internal configuration of the appliance is the one that ensures the most efficient use of energy.
- If the ambient temperature is high and the temperature control is set to low temperature and the appliance is fully loaded, the compressor may run continuously, causing frost or ice formation on the evaporator. In this case, set the temperature control toward higher temperature to allow automatic defrosting and to save energy this way.
- Do not open the door frequently or leave it open longer than absolutely necessary.

### 6.3 Hints for fresh food refrigeration

- Do not store warm food or evaporating liquids in the refrigerator.
- Cover or wrap the food, particularly if it has a strong flavour.
- Position food so that air can circulate freely around it.

### 6.4 Hints for refrigeration

Useful hints:

- Meat (all types): wrap in a suitable packaging and place it on the glass shelf above the vegetable drawer. Store meat for at most 1-2 days.
- Cooked foods, cold dishes: cover and place on any shelf.
- Fruit and vegetables: clean thoroughly and place in a special drawer. Bananas, potatoes, onions and garlic must not be kept in the refrigerator if not packed.
- Butter and cheese: place in a special airtight container or wrap in an aluminium foil or a polythene bag to exclude as much air as possible.
- Bottles: close with a cap and place on the door bottle shelf, or (if available) on the bottle rack.

### 6.5 Hints for freezing

- Freeze only top quality, fresh and thoroughly cleaned food products.
- For more efficient freezing and thawing divide food into small portions.
- Wrap the food in aluminium foil or polythene. Make sure that the packages are airtight.
- To avoid increase in temperature of already frozen food, do not place fresh unfrozen food directly next to it.
- Lean foods store better and longer than fatty ones. Salt reduces the storage life of food.
- Do not eat ice cubes, water ices or ice lollies immediately after taking them out of the freezer. Risk of frostbites.

- It is advisable to show the freezing date on each individual pack to enable you to keep tab of the storage time.

## 6.6 Hints for storage of frozen food

- Make sure that the commercially frozen food products were adequately stored by the retailer.

- Make sure that frozen foodstuffs are transferred from the food store to the freezer in the shortest possible time.
- Once defrosted, food deteriorates rapidly and cannot be refrozen.
- Do not exceed the storage period indicated by the food manufacturer.

# 7. CARE AND CLEANING



### WARNING!

Refer to Safety chapters.

## 7.1 General warnings



### CAUTION!

Unplug the appliance before carrying out any maintenance operation.



This appliance contains hydrocarbons in its cooling unit; maintenance and recharging must therefore only be carried out by authorized technicians.



The accessories and parts of the appliance are not suitable for washing in a dishwasher.

## 7.2 Periodic cleaning



### CAUTION!

Do not pull, move or damage any pipes and/or cables inside the appliance.



### CAUTION!

Do not damage the cooling system.

The equipment has to be cleaned regularly:

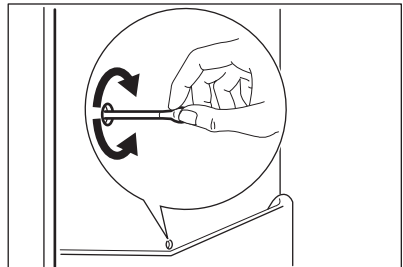
1. Clean the inside and accessories with lukewarm water and some neutral soap.

2. Regularly check the door seals and wipe them clean to ensure they are clean and free from debris.
3. Rinse and dry thoroughly.
4. If accessible, clean the condenser and the compressor at the back of the appliance with a brush. This will improve the performance of the appliance and save electricity consumption.

## 7.3 Defrosting of the refrigerator

Frost is automatically eliminated from the evaporator of the refrigerator compartment every time the motor compressor stops, during normal use. The defrost water drains out through a trough into a special container at the back of the appliance, over the motor compressor, where it evaporates.

It is important to periodically clean the defrost water drain hole in the middle of the refrigerator compartment channel to prevent the water overflowing and dripping onto the food inside.



## 7.4 Defrosting of the freezer



### CAUTION!

Never use sharp metal tools to scrape off frost from the evaporator as you could damage it.  
Do not use a mechanical device or any artificial means to speed up the thawing process other than those recommended by the manufacturer.



About 12 hours prior to defrosting set a lower temperature in order to build up sufficient chill reserve in case of any interruption in operation.

A certain amount of frost will always form on the freezer shelves and around the top compartment.

Defrost the freezer when the frost layer reaches a thickness of about 3-5 mm.

1. Switch off the appliance or pull out electrical plug from the wall socket.
2. Remove any stored food, wrap it in several layers of newspaper and put it in a cool place.



### CAUTION!

A temperature rise of the frozen food packs during defrosting may shorten their safe storage life.  
Do not touch frozen goods with wet hands.  
Hands can freeze to the goods.

3. Leave the door open. Protect the floor from the defrosting water e.g. with a cloth or a flat vessel.
4. In order to speed up the defrosting process, place a pot of warm water in the freezer compartment. In addition, remove pieces of ice that break away before defrosting is complete.
5. When defrosting is complete, dry the interior thoroughly.
6. Switch on the appliance and close the door.
7. Set the temperature regulator to obtain the maximum coldness and run the appliance for two or three hours using this setting.

Only after this time put the food back into the freezer compartment.

## 7.5 Periods of non-operation

When the appliance is not in use for long periods, take the following precautions:

1. Disconnect the appliance from electricity supply.
2. Remove all food.
3. Defrost the appliance (if necessary).
4. Clean the appliance and all accessories.
5. Leave the door/doors open to prevent unpleasant smells.



### CAUTION!

If you want to keep the appliance switched on, ask somebody to check it once in a while to prevent the food inside from spoiling in case of a power failure.

# 8. TROUBLESHOOTING



### WARNING!

Refer to Safety chapters.

## 8.1 What to do if...

Problem	Possible cause	Solution
The appliance does not operate.	The appliance is switched off.	Switch on the appliance.

Problem	Possible cause	Solution
	The mains plug is not connected to the mains socket correctly.	Connect the mains plug to the mains socket correctly.
	There is no voltage in the mains socket.	Connect a different electrical appliance to the mains socket. Contact a qualified electrician.
Audible or visual alarm is on.	The cabinet has been recently switched on or the temperature is too high.	Refer to "High temperature alarm".
	The temperature in the appliance is too high.	Contact a qualified electrician or contact the nearest Authorised Service Centre.
The lamp does not work.	The lamp is in stand-by.	Close and open the door.
	The lamp is defective.	Contact the nearest Authorised Service Centre.
The compressor operates continually.	Temperature is set incorrectly.	Refer to "Operation".
	Many food products were put in at the same time.	Wait few hours and then check the temperature again.
	The room temperature is too high.	Refer to climate class chart on the rating plate.
	Food products placed in the appliance were too warm.	Allow food products to cool to room temperature before storing.
	The door is not closed correctly.	Refer to "Closing the door".
	The "Frostmatic function" is switched on.	Refer to "Frostmatic function".
There is too much frost and ice.	The door is not closed correctly or the gasket is deformed/dirty.	Refer to "Closing the door".
	The water drainage plug is not correctly positioned.	Position the water drainage plug in the correct way.
	Appliance is fully loaded and it is set to the lowest temperature	Set a higher temperature. Refer to "Operation".
	Temperature set in the appliance is too low and the ambient temperature is too high.	Set a higher temperature. Refer to "Operation"

<b>Problem</b>	<b>Possible cause</b>	<b>Solution</b>
	Temperature is set incorrectly.	Refer to "Operation" .
The compressor does not start immediately after pressing the "Frostmatic", or after changing the temperature.	This is normal, no error has occurred.	The compressor starts after a period of time.
Water flows on the rear plate of the refrigerator.	During the automatic defrosting process, frost melts on the rear plate.	This is correct.
Water flows inside the refrigerator.	Food products prevent the water to flow into the water collector.	Make sure that food products do not touch the rear plate.
	The water outlet is clogged.	Clean the water outlet.
Water flows on the floor.	The melting water outlet is not connected to the evaporative tray above the compressor.	Attach the melting water outlet to the evaporative tray.
Temperature cannot be set.	The "Frostmatic function" is switched on.	Switch off "Frostmatic function" manually, or wait until the function resets automatically to set the temperature. Refer to "Frostmatic function" .
The temperature in the appliance is too low/too high.	The temperature regulator is not set correctly.	Set a higher/lower temperature.
	The door is not closed correctly.	Refer to "Closing the door" .
	The food products' temperature is too high.	Let the food products temperature decrease to room temperature before storage.
	Many food products are stored at the same time.	Add less food products at the same time.
	The thickness of the frost is greater than 4-5 mm.	Defrost the appliance.
	The door has been opened often.	Open the door only if necessary.
	The "Frostmatic function" is switched on.	Refer to "Frostmatic function" .

Problem	Possible cause	Solution
	There is no cold air circulation in the appliance.	Make sure that there is cold air circulation in the appliance.
All the temperature setting LEDs flash at the same time.	An error has occurred in measuring the temperature.	Contact the nearest Authorised Service Centre. The cooling system will continue to keep food products cold, but temperature adjustment will not be possible.

**i** If the advice does not lead to the desired result, contact the nearest Authorised Service Centre.

## 8.2 Replacing the lamp

The appliance is equipped with a longlife LED interior light.

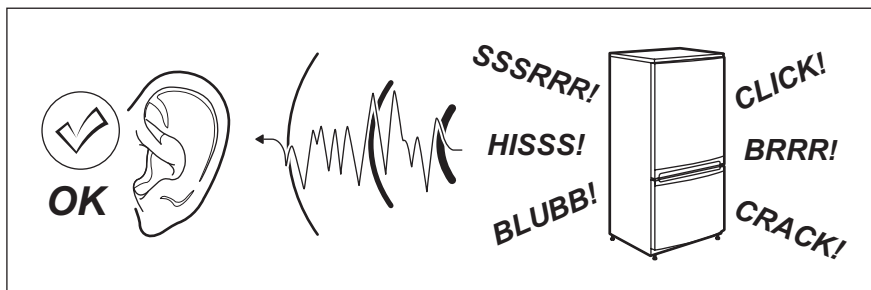
Only service is allowed to replace the lighting device. Contact your Authorised Service Centre.

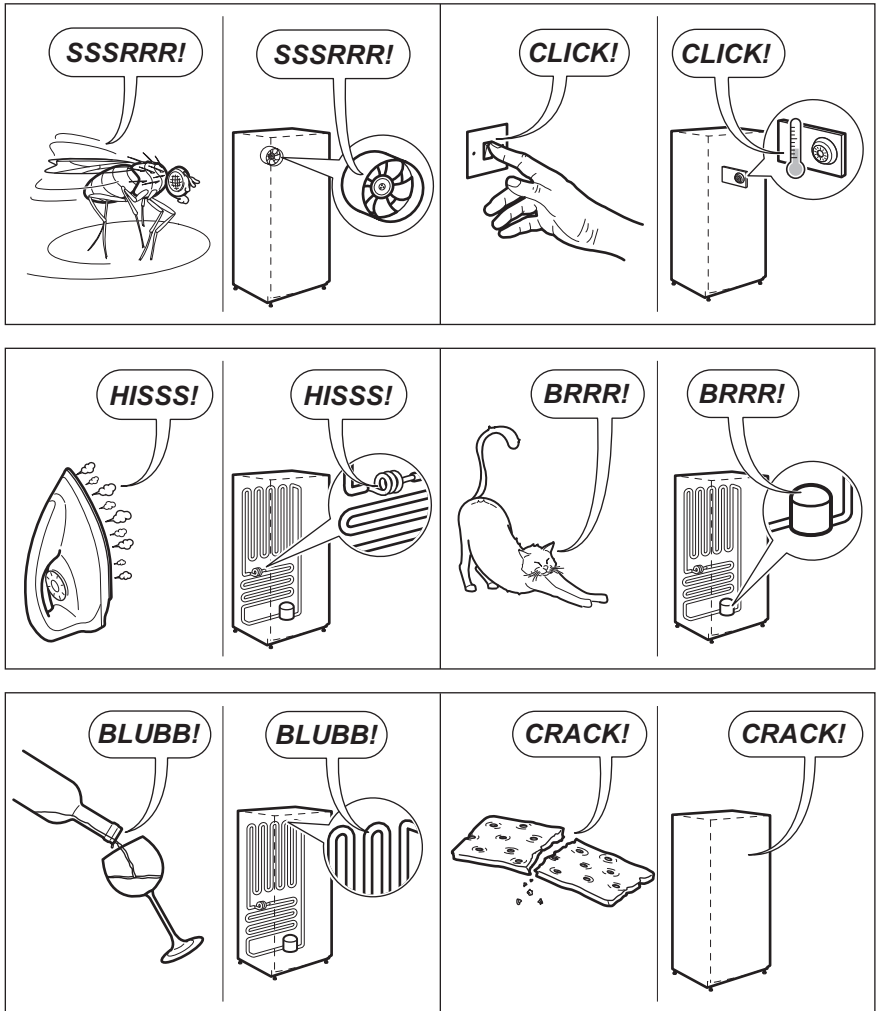
## 8.3 Closing the door

1. Clean the door gaskets.
2. If necessary, adjust the door. Refer to assembly instructions.
3. If necessary, replace the defective door gaskets. Contact the Authorised Service Centre.

# 9. NOISES

There are some sounds during normal running (compressor, refrigerant circulation).





## 10. TECHNICAL DATA

### 10.1 Product information sheet

Trade Mark	AEG
Model	SCB61921FS 925560002
Category	7. Refrigerator-freezer
Energy efficiency class	A++



Energy consumption in kWh per year, based on standard test results for 24 hours. The actual energy consumption will depend on how the appliance is used and where it is located	235
Storage volume in litres, Fridge	213
Storage volume in litres, Star	-
Storage volume in litres, Cellar zone	-
Storage volume in litres, Wine	-
Storage volume in litres, Total	285
Storage volume in litres, Freezer	72
Storage volume in litres, Chiller	-
Storage volume in litres, Other compartments	-
Star rating of freezer compartment with highest storage volume (l)	****
Design temperature of other compartments > 14 °C (°C), if any	-
Frost free (Y/N), Fridge	No
Frost free (Y/N), Freezer	No
Power cut safe in h	21
Freezing capacity in kg/24h	12
Climate class	SN-N-ST-T
Lowest ambient temperature at which this appliance is intended to be used, in °C	10
Highest ambient temperature at which this appliance is intended to be used, in °C	43
Acoustical noise emissions dB(A) re1 pW	36
Built in appliance Y/N	Yes
This appliance is intended to be used exclusively for the storage of wine Y/N	No


## 10.2 Additional technical data

Dimensions of the recess	
Height	1894 mm
Width	560 mm
Depth	550 mm

Voltage	230 - 240 V
Frequency	50 Hz

The technical information is situated in the rating plate, on the external or internal side of the appliance and on the energy label.

## 11. ENVIRONMENTAL CONCERNS

Recycle materials with the symbol .  
Put the packaging in relevant containers to recycle it. Help protect the environment and human health by recycling waste of electrical and electronic appliances. Do not dispose of

appliances marked with the symbol  with the household waste. Return the product to your local recycling facility or contact your municipal office.

# TABLE DES MATIÈRES

1. INFORMATIONS DE SÉCURITÉ.....	19
2. CONSIGNES DE SÉCURITÉ.....	21
3. INSTALLATION.....	23
4. FONCTIONNEMENT.....	25
5. UTILISATION QUOTIDIENNE.....	26
6. CONSEILS.....	28
7. ENTRETIEN ET NETTOYAGE.....	29
8. DÉPANNAGE.....	31
9. BRUITS.....	34
10. CARACTÉRISTIQUES TECHNIQUES.....	35

## POUR DES RÉSULTATS PARFAITS

Merci d'avoir choisi ce produit AEG. Nous l'avons conçu pour qu'il vous offre des performances irréprochables pour longtemps, en intégrant des technologies innovantes qui vous simplifient la vie grâce à des caractéristiques que vous ne trouverez pas forcément sur des appareils ordinaires. Veuillez prendre quelques instants pour lire cette notice afin d'utiliser au mieux votre appareil.

Visitez notre site Internet pour :



Obtenir des conseils d'utilisation, des brochures, de l'aide, des informations :  
**[www.aeg.com/webselfservice](http://www.aeg.com/webselfservice)**



Enregistrez votre produit pour obtenir un meilleur service :  
**[www.registreaeg.com](http://www.registreaeg.com)**



Acheter des accessoires, consommables et pièces de rechange d'origine pour votre appareil :  
**[www.aeg.com/shop](http://www.aeg.com/shop)**

## SERVICE APRÈS-VENTE

Utilisez toujours des pièces d'origine.

Avant de contacter le service après-vente, assurez-vous de disposer des informations suivantes : Modèle, PNC, numéro de série.

Vous trouverez ces informations sur la plaque signalétique.

 Avertissement/Consignes de sécurité

 Informations générales et conseils

 Informations en matière de protection de l'environnement

Sous réserve de modifications.

### 1. INFORMATIONS DE SÉCURITÉ

Avant d'installer et d'utiliser cet appareil, lisez soigneusement les instructions fournies. Le fabricant ne pourra être tenu pour responsable des blessures et dégâts résultant d'une mauvaise installation ou

utilisation. Conservez toujours les instructions dans un lieu sûr et accessible pour vous y référer ultérieurement.

## 1.1 Sécurité des enfants et des personnes vulnérables

- Cet appareil peut être utilisé par des enfants de plus de 8 ans, ainsi que des personnes dont les capacités physiques, sensorielles et mentales sont réduites ou dont les connaissances et l'expérience sont insuffisantes, à condition d'être surveillés ou d'avoir reçu des instructions concernant l'utilisation sécurisée de l'appareil et de comprendre les risques encourus.
- Cet appareil peut être utilisé par des enfants entre 3 et 8 ans et des personnes ayant un handicap très important et complexe à condition d'avoir reçu de bonnes instructions.
- Les enfants de moins de 3 ans doivent être tenus à l'écart de l'appareil, à moins d'être surveillés en permanence.
- Ne laissez pas les enfants jouer avec l'appareil.
- Les enfants ne doivent pas nettoyer ni entreprendre une opération de maintenance sur l'appareil sans surveillance.
- Ne laissez pas les emballages à la portée des enfants et jetez-les convenablement.

## 1.2 Sécurité générale

- Cet appareil est conçu uniquement pour un usage domestique et des situations telles que :
  - dans des fermes, des coins cuisines réservés au personnel dans des magasins, bureaux et autres
  - l'utilisation par les clients des hôtels, motels, des environnements du type chambres d'hôtes et autres environnements à caractère résidentiel
- **AVERTISSEMENT** : Veillez à ce que les orifices de ventilation, situés dans l'enceinte de l'appareil ou dans la structure intégrée, ne soient pas obstrués.

- **AVERTISSEMENT** : N'utilisez aucun dispositif mécanique ou autre appareil pour accélérer le processus de dégivrage que ceux recommandés par le fabricant.
- **AVERTISSEMENT** : N'endommagez pas le circuit frigorifique.
- **AVERTISSEMENT** : N'utilisez pas d'appareils électriques à l'intérieur des compartiments de conservation des aliments de l'appareil, sauf s'ils sont du type recommandé par le fabricant.
- Ne pulvérisez pas d'eau ni de vapeur pour nettoyer l'appareil.
- Nettoyez l'appareil avec un chiffon doux humide. Utilisez uniquement des produits de lavage neutres. N'utilisez pas de produits abrasifs, de tampons à récurer, de solvants ni d'objets métalliques.
- Ne conservez aucune substance explosive dans cet appareil, comme des aérosols contenant un produit inflammable.
- Si le câble d'alimentation est endommagé, il doit être remplacé par le fabricant, son service après-vente ou des personnes de qualification similaire afin d'éviter un danger.

## 2. CONSIGNES DE SÉCURITÉ

### 2.1 Installation



#### **AVERTISSEMENT!**

L'appareil doit être installé uniquement par un professionnel qualifié.

- Retirez l'intégralité de l'emballage.
  - N'installez pas et ne branchez pas un appareil endommagé.
  - Pour des raisons de sécurité, n'utilisez pas l'appareil avant de l'avoir installé dans la structure encastrée.
  - Suivez scrupuleusement les instructions d'installation fournies avec l'appareil.
  - Soyez toujours vigilants lorsque vous déplacez l'appareil car il est lourd.
- Utilisez toujours des gants de sécurité et des chaussures fermées.
- Assurez-vous que l'air circule autour de l'appareil.
  - Lors de la première installation ou après avoir inversé la porte, attendez au moins 4 heures avant de brancher l'appareil sur le secteur. Cela permet à l'huile de refouler dans le compresseur.
  - Avant toute opération sur l'appareil (par ex. inversion de la porte), débranchez la fiche de la prise de courant.
  - N'installez pas l'appareil à proximité d'un radiateur, d'une cuisinière, d'un four ou d'une table de cuisson.
  - N'exposez pas l'appareil à la pluie.

- N'installez pas l'appareil dans un endroit exposé à la lumière directe du soleil.
- N'installez pas l'appareil dans une pièce trop humide ou trop froide.
- Lorsque vous déplacez l'appareil, veillez à le soulever par l'avant pour éviter de rayer le sol.
- L'appareil contient un sachet de dessiccateur. Ce n'est pas un jouet. Ce n'est pas un aliment. Jetez-le immédiatement.

## 2.2 Branchement électrique



### AVERTISSEMENT!

Risque d'incendie ou d'électrocution.



### AVERTISSEMENT!

Lorsque vous installez l'appareil, assurez-vous que le câble d'alimentation n'est pas coincé ou endommagé.



### AVERTISSEMENT!

N'utilisez pas d'adaptateurs multiprises ni de rallonges.

- L'appareil doit être relié à la terre.
- Vérifiez que les paramètres figurant sur la plaque signalétique correspondent aux données électriques de votre réseau.
- Utilisez une prise correctement installée et protégée contre les chocs.
- Veillez à ne pas endommager les composants électriques tels que la fiche secteur, le câble d'alimentation ou le compresseur. Contactez le service après-vente agréé ou un électricien pour changer les composants électriques.
- Le câble d'alimentation doit rester en dessous du niveau de la fiche secteur.
- Ne branchez la fiche d'alimentation à la prise de courant qu'à la fin de l'installation. Assurez-vous que la prise principale est accessible une fois l'appareil installé.
- Ne tirez jamais sur le câble d'alimentation électrique pour débrancher l'appareil. Tirez toujours sur la fiche de la prise secteur.

## 2.3 Utilisation



### AVERTISSEMENT!

Risque de blessures, de brûlures, d'électrocution ou d'incendie.



L'appareil contient un gaz inflammable, l'isobutane (R600a), un gaz naturel ayant un niveau élevé de compatibilité environnementale. Veillez à ne pas endommager le circuit frigorifique contenant de l'isobutane.

- Ne modifiez pas les caractéristiques de cet appareil.
- Ne placez aucun appareil électrique (sorbetière, etc.) dans l'appareil, en l'absence d'indications du fabricant.
- Si le circuit frigorifique est endommagé, assurez-vous de l'absence de flammes et de sources d'ignition dans la pièce. Aérez la pièce.
- Évitez tout contact d'éléments chauds avec les parties en plastique de l'appareil.
- Ne placez jamais de boissons gazeuses dans le congélateur. Cela engendrerait une pression sur le récipient de la boisson.
- Ne stockez jamais de gaz ou de liquide inflammable dans l'appareil.
- Ne placez pas de produits inflammables ou d'éléments imbibés de produits inflammables à l'intérieur ou à proximité de l'appareil, ni sur celui-ci.
- Ne touchez pas le compresseur ni le condenseur. Ils sont chauds.
- Ne retirez pas et ne touchez pas les éléments du compartiment congélateur avec les mains mouillées ou humides.
- Ne recongelez jamais un aliment qui a été décongelé.
- Respectez les instructions de stockage figurant sur l'emballage des aliments surgelés.
- Emballez les aliments dans un emballage adapté au contact avec des aliments avant de les placer dans le compartiment congélateur.

## 2.4 Éclairage intérieur



**AVERTISSEMENT!**  
Risque d'électrocution !

- Le type d'ampoule utilisé pour cet appareil est uniquement destiné aux appareils domestiques. Ne l'utilisez pas pour éclairer votre logement.

## 2.5 Entretien et nettoyage



**AVERTISSEMENT!**  
Risque de blessure corporelle ou de dommages matériels.

- Avant toute opération d'entretien, éteignez l'appareil et débranchez la fiche de la prise secteur.
- Cet appareil contient des hydrocarbures dans son circuit de réfrigération. L'entretien et la recharge du circuit de réfrigération doivent être effectués par un professionnel qualifié.
- Examinez régulièrement l'écoulement de l'appareil et si nécessaire, nettoyez-le. Si l'orifice est bouché, l'eau provenant du dégivrage s'écoulera en bas de l'appareil.

## 2.6 Maintenance

- Pour réparer l'appareil, contactez un service après-vente agréé.
- Utilisez exclusivement des pièces d'origine.

## 2.7 Mise au rebut



**AVERTISSEMENT!**  
Risque de blessure ou d'asphyxie.

- Débranchez l'appareil de l'alimentation électrique.
- Coupez le câble d'alimentation et mettez-le au rebut.
- Retirez la porte pour empêcher les enfants et les animaux de s'enfermer dans l'appareil.
- Le circuit frigorifique et les matériaux d'isolation de cet appareil préservent la couche d'ozone.
- La mousse isolante contient un gaz inflammable. Contactez votre service municipal pour obtenir des informations sur la marche à suivre pour mettre l'appareil au rebut.
- N'endommagez pas la partie du circuit de réfrigération située à proximité du condenseur thermique.

# 3. INSTALLATION



**AVERTISSEMENT!**  
Reportez-vous aux chapitres concernant la sécurité.



**AVERTISSEMENT!**  
Consultez les instructions d'installation pour installer votre appareil.



**AVERTISSEMENT!**  
Fixez l'appareil conformément aux instructions d'installation pour éviter tout risque d'instabilité de l'appareil.

telle qu'un radiateur, une chaudière, la lumière directe du soleil, etc. Assurez-vous que l'air circule librement à l'arrière de l'appareil.

## 3.2 Positionnement

Installez cet appareil dans une pièce intérieure sèche et bien ventilée où la température ambiante correspond à la classe climatique indiquée sur la plaque signalétique de l'appareil.

Classe climatique	Température ambiante
SN	+10 °C à +32 °C
N	+16 °C à + 32 °C

## 3.1 Localisation

Pour assurer des performances optimales, l'appareil ne doit pas être installé près d'une source de chaleur

Classe climatique	Température ambiante
ST	+16 °C à + 38 °C
T	+16 °C à + 43 °C



Des problèmes fonctionnels peuvent survenir sur certains types de modèles fonctionnant hors de cette plage de températures. Seul le respect de la plage de températures spécifiée peut garantir un bon fonctionnement de l'appareil. En cas de doute concernant l'emplacement d'installation de l'appareil, veuillez contacter le vendeur, notre service après-vente ou le centre de réparation agréé le plus proche.

### 3.3 Branchement électrique

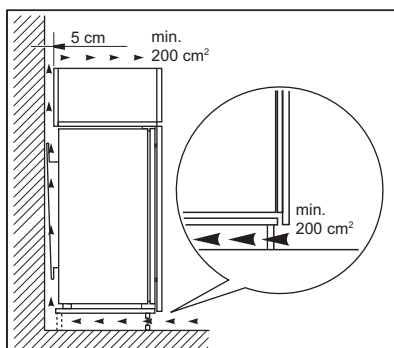
- Avant de brancher l'appareil, assurez-vous que la tension et la fréquence indiquées sur la plaque signalétique correspondent à celles de votre réseau électrique domestique.
- L'appareil doit être relié à la terre. La fiche du cordon d'alimentation est fournie avec un contact à cette fin. Si

la prise de courant n'est pas mise à la terre, branchez l'appareil à une mise à la terre séparée conformément aux réglementations en vigueur, en consultant un électricien spécialisé.

- Le fabricant décline toute responsabilité en cas de non-respect de ces consignes de sécurité.
- Cet appareil est conforme aux directives CEE.

### 3.4 Exigences en matière de ventilation

Veillez à garantir une circulation d'air suffisante à l'arrière de l'appareil.



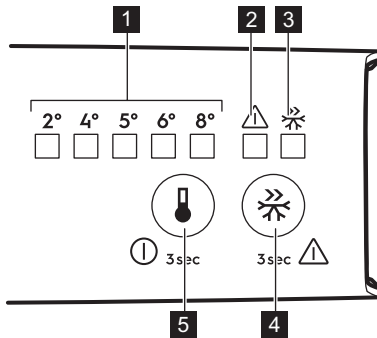
#### ATTENTION!

Consultez la notice de montage lors de l'installation.



## 4. FONCTIONNEMENT

### 4.1 Bandeau de commande



- 1** Indicateur de température LED
- 2** Voyant d'alarme du congélateur
- 3** Voyant Frostmatic
- 4** Touche Frostmatic  
Touche de réinitialisation d'alarme
- 5** Thermostat  
Touche Marche/Arrêt

### 4.2 Mise en marche

1. Insérez la fiche dans la prise murale.
2. Appuyez sur le thermostat si tous les voyants LED sont éteints.

### 4.3 Mise à l'arrêt

Maintenez la touche du thermostat enfoncée pendant 3 secondes. Tous les voyants sont éteints.

### 4.4 Réglage de la température

Pour mettre l'appareil en marche, appuyez sur la touche du thermostat jusqu'à ce que le voyant LED correspondant à la température souhaitée apparaisse. La sélection se fait progressivement, de 2 °C à 8 °C.

- i** Réglage le plus froid : +2 °C.  
Réglage le plus chaud : +8 °C.  
Un réglage intermédiaire est généralement le plus indiqué.

Choisissez le réglage en tenant compte du fait que la température à l'intérieur de l'appareil dépend de plusieurs facteurs :

- la température ambiante
- la fréquence d'ouverture de la porte
- la quantité de denrées entreposées
- l'emplacement de l'appareil.

1. Appuyez sur la touche du thermostat.

Le voyant de la température actuelle clignote. À chaque fois que vous appuyez sur la touche du thermostat, le réglage change d'une position. Le voyant LED correspondant clignote un instant.

2. Appuyez sur la touche du thermostat jusqu'à ce que la température souhaitée s'affiche.

### 4.5 Fonction Frostmatic

Pour activer la fonction Frostmatic, appuyez sur la touche Frostmatic.

Le voyant LED correspondant à l'indicateur Frostmatic s'allume.

Pour désactiver la fonction Frostmatic, appuyez une nouvelle fois sur la touche Frostmatic.

Le voyant Frostmatic s'éteint.

- i** Cette fonction s'arrête automatiquement au bout de 52 heures.

### 4.6 Alarme haute température

Lorsque vous allumez l'appareil pour la première fois, ou en cas de hausse de la température dans le compartiment congélateur (par exemple en raison d'une panne de courant), le voyant d'alarme du congélateur commence à clignoter. Le voyant d'alarme du

congélateur s'éteint lorsque les conditions normales sont restaurées.

Pour réinitialiser manuellement l'alarme du congélateur, maintenez la touche Frostmatic enfoncée pendant 3 secondes.



Si l'alarme du congélateur se déclenche, vous devez la réinitialiser avant d'effectuer toute autre opération. Après la réinitialisation, le voyant d'alarme du congélateur reste fixe jusqu'à ce que les conditions normales soient rétablies.

## 5. UTILISATION QUOTIDIENNE



### AVERTISSEMENT!

Reportez-vous aux chapitres concernant la sécurité.

### 5.1 Nettoyage de l'intérieur

Avant d'utiliser l'appareil pour la première fois, nettoyez l'intérieur et tous les accessoires avec de l'eau tiède savonneuse (pour supprimer toute odeur de neuf), puis séchez-les soigneusement.



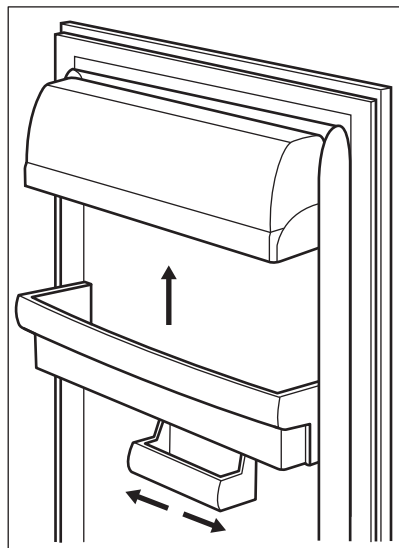
### ATTENTION!

N'utilisez jamais de détergents, de produits abrasifs, de nettoyeurs à base de chlore ou d'huile car ils pourraient endommager le revêtement.

### 5.2 Mise en place des balconnets de la porte

En fonction de la taille des emballages des aliments conservés, les balconnets de la porte peuvent être positionnés à différentes hauteurs.

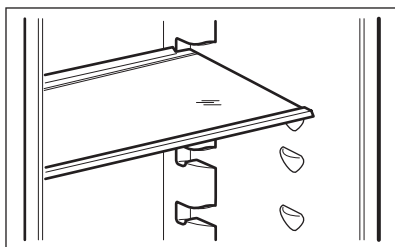
1. Soulevez doucement le balconnet jusqu'à ce qu'il se détache.
2. Repositionnez-le selon les besoins.



Le modèle est équipé d'un bac de rangement réglable qui peut glisser latéralement.

### 5.3 Clayettes amovibles

Les parois du réfrigérateur sont équipées d'une série de glissières afin que les clayettes puissent être positionnées comme vous le souhaitez.



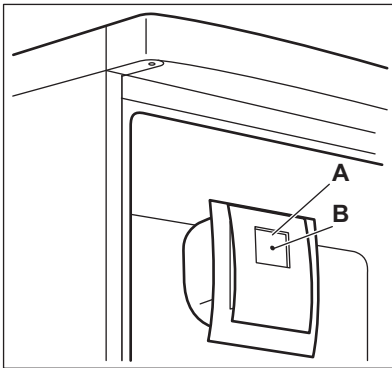
- i** Ne modifiez pas l'emplacement de la clayette en verre située au-dessus du bac à légumes, afin de garantir une circulation d'air optimale.

## 5.4 Fonction DYNAMICAIR

La fonction DYNAMICAIR permet le refroidissement rapide des aliments et une température plus homogène dans le compartiment.

- i** Allumez le DYNAMICAIR lorsque la température ambiante est supérieure à 25 °C.

Appuyez sur la touche (A) pour faire démarrer le ventilateur. Le voyant vert (B) s'allume.



- i** Lorsque vous éteignez l'appareil, n'oubliez pas de désactiver le ventilateur en appuyant sur la touche (A). Le voyant vert (B) s'éteint.

## 5.5 Congélation et rangement des produits surgelés

Le compartiment congélateur est idéal pour congeler des aliments frais et conserver longtemps des aliments congelés ou surgelés.

Lors de la mise en service ou après un arrêt prolongé, laissez fonctionner l'appareil pendant 2 heures environ avec

la fonction Frostmatic activée avant d'introduire les produits dans le compartiment. Activez la fonction Frostmatic au moins 24 heures avant d'introduire des aliments frais à congeler dans le compartiment congélateur.

Pour congeler des aliments frais, placez-les dans le compartiment central.

La quantité maximale d'aliments frais que vous pouvez congeler par tranche de 24 heures est indiquée sur la **plaque signalétique** (située à l'intérieur de l'appareil).

Le processus de congélation demande 24 heures. Vous ne devez ajouter aucun autre aliment à congeler pendant cette période.

En cas de dégivrage involontaire, par exemple en cas de panne de courant, si le courant a été interrompu pendant un délai supérieur à celui indiqué dans le tableau des caractéristiques techniques sous « Temps de montée en température », les aliments décongelés doivent être consommés rapidement ou cuisinés immédiatement puis à nouveau congelés (une fois refroidis).

## 5.6 Décongélation

Avant utilisation, les aliments surgelés ou congelés peuvent être décongelés dans le compartiment réfrigérateur ou à température ambiante en fonction du temps disponible pour cette opération.

Les petites portions peuvent même être cuites sans décongélation préalable ; la cuisson sera cependant un peu plus longue.

## 5.7 Production de glaçons

Cet appareil est équipé d'un ou plusieurs bacs à glaçons.

- i** N'utilisez pas d'instruments métalliques pour décoller les bacs du congélateur.

1. Remplissez les bacs avec de l'eau
2. Placez les bacs à glaçons dans le compartiment congélateur.

## 6. CONSEILS

### 6.1 Bruits normaux de fonctionnement

Les bruits suivants sont normaux lorsque l'appareil est en cours de fonctionnement :

- Un léger gargouillis lorsque le liquide réfrigérant est pompé.
- Un ronronnement et un bruit de pulsation provenant du compresseur lorsque le liquide réfrigérant est pompé.
- Un bruit de craquement soudain provenant de l'intérieur de l'appareil provoqué par une dilatation thermique (un phénomène naturel et inoffensif).
- Un léger cliquetis du thermostat lorsque le compresseur s'active ou se désactive.

### 6.2 Conseils d'économie d'énergie

- Eco mode / réglage par défaut préserve les aliments frais et surgelés tout en économisant l'énergie.
- Compartiment Aliments frais (Réfrigérateur) : L'utilisation la plus efficace de l'énergie est assurée dans la configuration avec les tiroirs dans la partie inférieure de l'appareil et les clayettes réparties uniformément. La position des compartiments de porte n'affecte pas la consommation d'énergie.
- Compartiment Surgelés (Congélateur) : La configuration interne de l'appareil est celle qui assure l'utilisation la plus efficace de l'énergie.
- Si la température ambiante est élevée et le thermostat est réglé sur une température basse avec l'appareil plein, il est possible que le compresseur fonctionne en continu, causant la formation de givre ou de glace sur l'évaporateur. Dans ce cas, réglez le thermostat sur une température supérieure pour permettre le dégivrage automatique et économiser ainsi l'énergie.

- Évitez d'ouvrir trop souvent la porte du congélateur et ne la laissez ouverte que le temps nécessaire.

### 6.3 Conseils pour la réfrigération des aliments frais

- Ne placez pas les aliments chauds ou les liquides bouillants dans le réfrigérateur.
- Couvrez ou enveloppez les aliments, surtout s'ils sont forts en saveurs.
- Placez correctement les aliments pour que l'air puisse circuler librement autour

### 6.4 Conseils pour la réfrigération

Conseil utiles :

- Viande (tous types de viande) : emballez-la dans un emballage adapté et placez-la sur l'étagère en verre au-dessus du bac à légumes. Ne conservez la viande que 1 ou 2 jours au plus.
- Aliments cuits, plats froids : couvrez-les et placez-les sur une étagère.
- Fruits et légumes : nettoyez-les soigneusement et placez-les dans le bac spécial. Bananes, pommes de terre, oignons et ail ne doivent pas être mis dans le réfrigérateur, s'ils ne sont pas emballés.
- Beurre et fromage : placez-les dans le compartiment spécial, étanche à l'air, ou enveloppez-les dans une feuille d'aluminium ou un sachet en polyéthylène, pour les tenir autant que possible à l'abri de l'air.
- Bouteilles : elles doivent être munies d'un bouchon et être placées sur le porte-bouteilles ou (s'il est installé) dans le balconnet à bouteilles de la porte.

### 6.5 Conseils pour la congélation

- Congelez uniquement des aliments frais, de qualité supérieure et propres.

- Pour une congélation et une décongélation plus efficaces, séparez les aliments en petites portions.
- Emballez les aliments dans du papier aluminium ou en polyéthylène. Assurez-vous que les emballages sont hermétiques.
- Pour éviter d'augmenter la température des aliments déjà surgelés, ne placez pas d'aliments frais non congelés directement à proximité.
- Les aliments faibles en gras se conservent mieux et plus longtemps que les aliments gras. Le sel diminue la durée de conservation des aliments.
- Ne mangez pas les glaçons, les glaces à l'eau ou les bâtonnets glacés dès leur sortie du congélateur. Risque de gelure !
- Il est conseillé d'indiquer la date de congélation des aliments sur chaque

paquet afin de garder une trace du temps de conservation.

## 6.6 Conseils pour le stockage des aliments surgelés

- Assurez-vous que les denrées surgelées achetées dans le commerce ont été correctement entreposées par le revendeur.
- Prévoyez un temps réduit au minimum pour le transport des denrées du magasin d'alimentation à votre domicile.
- Une fois décongelés, les aliments se détériorent rapidement et ne peuvent être recongelés.
- Ne dépassez pas la durée de conservation indiquée par le fabricant.

# 7. ENTRETIEN ET NETTOYAGE



### AVERTISSEMENT!

Reportez-vous aux chapitres concernant la sécurité.

## 7.1 Avertissements généraux



### ATTENTION!

Débranchez l'appareil avant toute opération d'entretien et de nettoyage.



Cet appareil contient des hydrocarbures dans son circuit de réfrigération ; l'entretien et la recharge ne doivent donc être effectués que par du personnel qualifié.



Les pièces et accessoires de l'appareil ne doivent pas être lavés au lave-vaisselle.

## 7.2 Nettoyage périodique



### ATTENTION!

Ne tirez pas, ne déplacez pas, n'endommagez pas les tuyaux et/ou câbles qui se trouvent à l'intérieur de l'appareil.



### ATTENTION!

N'endommagez pas le circuit de refroidissement.

L'appareil doit être nettoyé régulièrement :

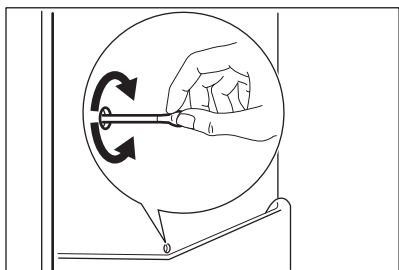
1. Nettoyez l'intérieur et les accessoires avec de l'eau tiède et additionnée d'un détergent doux.
2. Vérifiez régulièrement les joints de porte et essuyez-les pour vous assurer qu'ils sont propres et ne contiennent pas de résidus.
3. Rincez et séchez soigneusement.
4. S'ils sont accessibles, nettoyez le condenseur et le compresseur situés à l'arrière de l'appareil avec une brosse.

Cette opération améliore les performances de l'appareil et permet des économies d'électricité.

### 7.3 Dégivrage du réfrigérateur

En fonctionnement normal, le givre est automatiquement éliminé de l'évaporateur du compartiment réfrigérateur à chaque fois que le compresseur s'arrête. L'eau de dégivrage est collectée dans un récipient spécial situé à l'arrière de l'appareil, au-dessus du compresseur, d'où elle s'évapore.

Il est important de nettoyer régulièrement l'orifice d'écoulement de la goutte de dégivrage située au milieu du compartiment réfrigérateur pour empêcher l'eau de déborder et de couler à l'intérieur de l'appareil.



### 7.4 Dégivrage du congélateur



#### ATTENTION!

N'utilisez en aucun cas de couteau ou tout autre objet tranchant, d'objet métallique pour gratter la couche de givre, vous risquez de détériorer irrémédiablement l'évaporateur.

N'utilisez aucun dispositif mécanique ou autre moyen artificiel pour accélérer le processus de dégivrage hormis ceux recommandés par le fabricant.



Environ 12 heures avant le dégivrage, mettez le thermostat sur une température inférieure afin d'assurer une réserve de froid suffisante en cas d'interruption du fonctionnement.

Une certaine quantité de givre se forme toujours sur les clayettes du congélateur et autour du compartiment supérieur.

Dégivrez le congélateur lorsque l'épaisseur de la couche de givre est d'environ 3-5 mm

1. Éteignez l'appareil ou débranchez la fiche de la prise secteur.
2. Sortez les denrées congelées, enveloppez-les dans plusieurs feuilles de papier journal et conservez-les dans un endroit frais.



#### ATTENTION!

Une élévation de la température des denrées congelées, pendant le dégivrage, peut réduire leur durée de conservation. Ne touchez pas les produits congelés et les surfaces givrées avec les mains humides. Risque de brûlures ou d'arrachement de la peau.

3. Laissez la porte ouverte. Protégez le sol de l'eau de dégivrage avec un chiffon ou un récipient plat.
4. Le dégivrage peut être accéléré en plaçant un récipient d'eau chaude dans le compartiment congélateur. Retirez également les morceaux de glace au fur et à mesure qu'ils se détachent, avant que le processus de dégivrage ne soit terminé.
5. Une fois le dégivrage terminé, séchez bien l'intérieur.
6. Mettez l'appareil en marche et fermez la porte.
7. Réglez le thermostat pour obtenir le plus de froid possible et faites fonctionner l'appareil pendant deux ou trois heures en utilisant ce réglage.

Vous pouvez remettre les denrées dans le compartiment congélateur uniquement à ce stade.

## 7.5 En cas de non-utilisation prolongée

Si l'appareil n'est pas utilisé pendant de longues périodes, prenez les précautions suivantes :

1. Débranchez l'appareil de l'alimentation électrique.
2. Retirez tous les aliments.
3. Dégivrez l'appareil (si nécessaire).
4. Nettoyez l'appareil et tous les accessoires.

5. Laissez la porte/les portes ouverte(s) pour éviter la formation d'odeurs désagréables.



### ATTENTION!

Si, toutefois, vous n'avez pas la possibilité de débrancher et de vider l'appareil, faites vérifier régulièrement le bon de fonctionnement de celui-ci pour éviter que les aliments qu'il contient ne pourrissent en cas de coupure de courant.

## 8. DÉPANNAGE



### AVERTISSEMENT!

Reportez-vous aux chapitres concernant la sécurité.

### 8.1 Que faire si...

Problème	Cause possible	Solution
L'appareil ne fonctionne pas.	L'appareil est éteint.	Mettez l'appareil en marche.
	La fiche du câble d'alimentation n'est pas correctement insérée dans la prise de courant.	Branchez correctement la fiche du câble d'alimentation dans la prise de courant.
	Il n'y a pas de tension dans la prise de courant.	Branchez un autre appareil électrique à la prise de courant. Contactez un électricien qualifié.
Les signaux sonores et visuels sont activés.	L'appareil a récemment été mis en marche ou la température est trop élevée.	Consultez le paragraphe « Alarme haute température ».
	La température à l'intérieur de l'appareil est trop élevée.	Contactez un électricien qualifié ou le service après-vente agréé le plus proche.
L'éclairage ne fonctionne pas.	L'éclairage est en mode veille.	Fermez puis ouvrez la porte.

Problème	Cause possible	Solution
	L'éclairage est défectueux.	Contactez le service après-vente agréé le plus proche.
Le compresseur fonctionne en permanence.	Il y a une erreur dans le réglage de la température.	Reportez-vous au chapitre « Fonctionnement ».
	Trop de produits ont été introduits simultanément.	Attendez quelques heures et vérifiez de nouveau la température.
	La température ambiante est trop élevée.	Reportez-vous au tableau des classes climatiques de la plaque signalétique.
	Les aliments introduits dans l'appareil étaient trop chauds.	Laissez refroidir les aliments à température ambiante avant de les mettre dans l'appareil.
	La porte n'est pas fermée correctement.	Consultez le paragraphe « Fermeture de la porte ».
	La « fonction Frostmatic » est activée.	Reportez-vous au chapitre « fonction Frostmatic ».
Il y a trop de givre et de glace.	La porte n'est pas correctement fermée ou le joint est déformé/sale.	Consultez le paragraphe « Fermeture de la porte ».
	Le bouchon de la gouttière d'évacuation de l'eau de dégivrage n'est pas bien placé.	Placez correctement le bouchon de la gouttière d'évacuation de l'eau.
	L'appareil est entièrement chargé et il est réglé sur la température la plus basse.	Augmentez la température. Reportez-vous au chapitre « Fonctionnement ».
	La température réglée dans l'appareil est trop basse et la température ambiante est trop élevée.	Augmentez la température. Reportez-vous au chapitre « Fonctionnement ».
	Il y a une erreur dans le réglage de la température.	Reportez-vous au chapitre « Fonctionnement ».
Le compresseur ne démarre pas immédiatement après avoir appuyé sur la touche « Frostmatic », ou après avoir changé la température.	Ce phénomène est normal, il ne s'agit pas d'une anomalie.	Le compresseur démarre au bout d'un certain temps.
De l'eau s'écoule sur la plaque arrière du réfrigérateur.	Pendant le dégivrage automatique, le givre fond sur la plaque arrière.	Ce phénomène est normal.



Problème	Cause possible	Solution
De l'eau s'écoule à l'intérieur du réfrigérateur.	Des aliments empêchent l'eau de s'écouler dans le réservoir d'eau.	Assurez-vous que les produits ne touchent pas la plaque arrière.
	L'orifice d'évacuation de l'eau est obstrué.	Nettoyez l'orifice d'évacuation de l'eau.
De l'eau coule sur le sol.	Le tuyau d'évacuation de l'eau de dégivrage n'est pas raccordé au bac d'évaporation situé au-dessus du compresseur.	Fixez le tuyau de sortie de l'eau au plateau d'évaporation.
Il est impossible de régler la température.	La « fonction Frostmatic » est activée.	Désactivez manuellement la « fonction Frostmatic » ou attendez que la fonction se réinitialise automatiquement avant de régler la température. Reportez-vous au chapitre « fonction Frostmatic ».
La température à l'intérieur de l'appareil est trop basse/ élevée.	Le thermostat n'est pas réglé correctement.	Augmentez/réduisez la température.
	La porte n'est pas fermée correctement.	Consultez le paragraphe « Fermeture de la porte ».
	La température des produits est trop élevée.	Laissez les aliments refroidir à température ambiante avant de les placer dans l'appareil.
	Trop de produits ont été introduits simultanément.	Introduisez moins de produits en même temps.
	L'épaisseur de givre est supérieure à 4 - 5 mm.	Dégivrez l'appareil.
	La porte a été ouverte trop souvent.	N'ouvrez la porte qu'en cas de nécessité.
	La « fonction Frostmatic » est activée.	Reportez-vous au chapitre « fonction Frostmatic ».
	L'air froid ne circule pas dans l'appareil.	Assurez-vous que de l'air froid circule dans l'appareil.
Tous les voyants de réglage de la température clignotent en même temps.	Une erreur s'est produite lors de la mesure de la température.	Contactez le service après-vente agréé le plus proche. Le système de réfrigération continue de maintenir les aliments au frais, mais le réglage de la température n'est pas possible.



Si ces conseils n'apportent pas de solution à votre problème, veuillez consulter le service après-vente agréé le plus proche.

## 8.2 Remplacement de l'éclairage

L'appareil est équipé d'un éclairage à LED longue durée.

Le remplacement du dispositif d'éclairage doit uniquement être

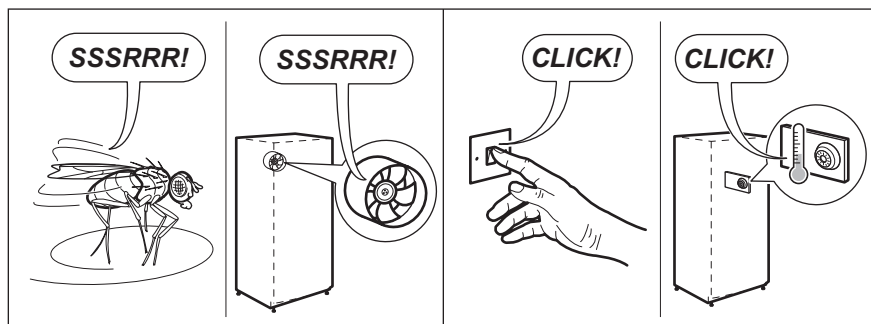
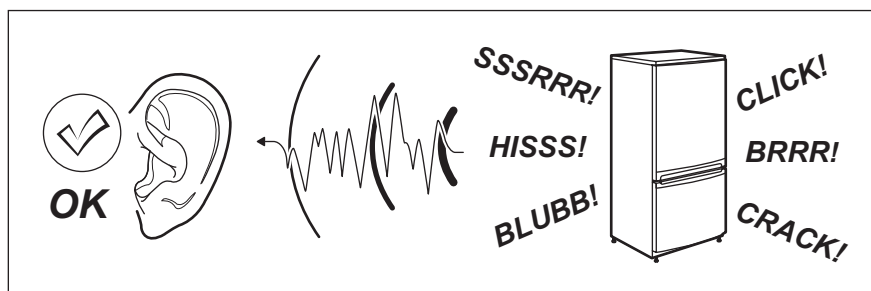
effectué par un technicien du service après-vente. Contactez votre service après-vente agréé.

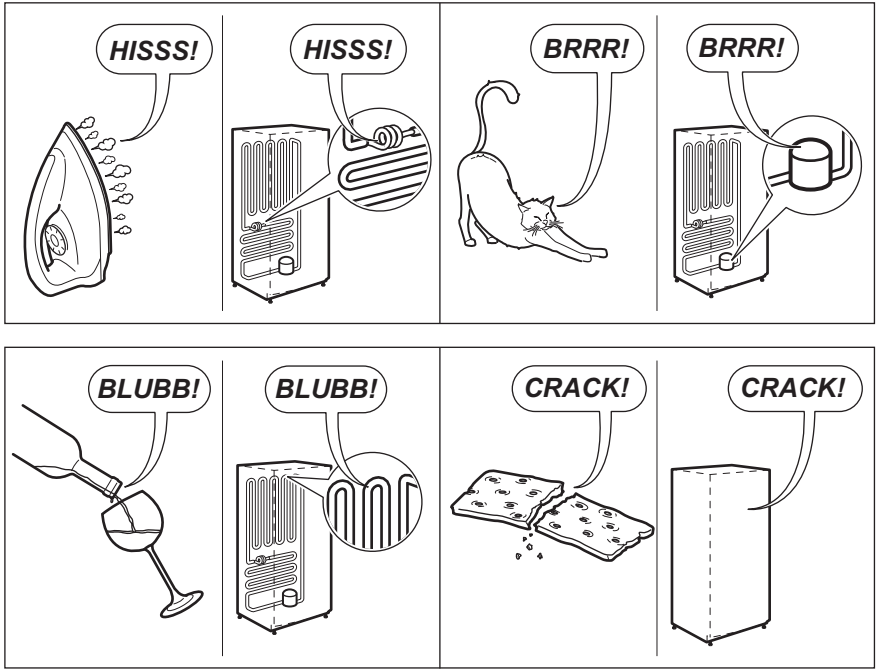
## 8.3 Fermeture de la porte

1. Nettoyez les joints de la porte.
2. Si nécessaire, ajustez la porte. Reportez-vous aux instructions de montage.
3. Si nécessaire, remplacez les joints de porte défectueux. Contactez le service après-vente agréé.

## 9. BRUITS

L'appareil émet certains bruits pendant son fonctionnement (compresseur, circuit frigorifique).





## 10. CARACTÉRISTIQUES TECHNIQUES

### 10.1 Fiche d'informations produit

Marque	AEG
Modèle	SCB61921FS 925560002
Catégorie	7. Réfrigérateur-congélateur
Classe d'efficacité énergétique	A++
Consommation d'énergie annuelle en kWh, calculée sur la base du résultat obtenu pour 24 heures dans des conditions d'essai normalisées. La consommation d'énergie réelle dépend des conditions d'utilisation et de l'emplacement de l'appareil.	235
Volume de stockage en litres, Réfrigérateur	213
Volume de stockage en litres, « Étoile »	-
Volume de stockage en litres, zone « Cave »	-
Volume de stockage en litres, « Vin »	-
Volume de stockage en litres, Total	285

Volume de stockage en litres, « Congélateur »	72
Volume de stockage en litres, « Zone fraîcheur »	-
Volume de stockage en litres, « Compartiments de type autre »	-
Nombre d'étoiles du compartiment congélateur ayant le volume de stockage le plus élevé (l)	****
Température de conception des « compartiments de type autre » > 14 °C (°C), le cas échéant	-
« Sans givre » (O/N), Réfrigérateur	Non
« Sans givre » (O/N), Congélateur	Non
Autonomie en h	21
« Pouvoir de congélation », exprimé en kg/24 h	12
Classe climatique	SN-N-ST-T
Température ambiante la plus basse à laquelle l'appareil est conçu pour être utilisé, en °C	10
Température ambiante la plus haute à laquelle l'appareil est conçu pour être utilisé, en °C	43
Émissions acoustiques exprimées en dB(A) re 1 pW	36
Appareil intégrable O/N	Oui
Cet appareil est destiné uniquement au stockage du vin O/N	Non

## 10.2 Autres caractéristiques techniques


Dimensions de la niche d'encastrement	
Hauteur	1894 mm
Largeur	560 mm

Profondeur	550 mm
Tension	230 - 240 V
Fréquence	50 Hz

Les caractéristiques techniques figurent sur la plaque signalétique située sur le côté intérieur ou extérieur de l'appareil et sur l'étiquette énergétique.

## 11. EN MATIÈRE DE PROTECTION DE L'ENVIRONNEMENT

Recyclez les matériaux portant le symbole . Déposez les emballages dans les conteneurs prévus à cet effet. Contribuez à la protection de l'environnement et à votre sécurité, recyclez vos produits électriques et

électroniques. Ne jetez pas les appareils portant le symbole  avec les ordures ménagères. Emmenez un tel produit dans votre centre local de recyclage ou contactez vos services municipaux.

# INHALTSVERZEICHNIS

1. SICHERHEITSHINWEISE.....	37
2. SICHERHEITSANWEISUNGEN.....	39
3. MONTAGE.....	41
4. BETRIEB.....	43
5. TÄGLICHER GEBRAUCH.....	44
6. TIPPS UND HINWEISE.....	46
7. REINIGUNG UND PFLEGE.....	47
8. FEHLERSUCHE.....	49
9. GERÄUSCHE.....	52
10. TECHNISCHE DATEN.....	53

## FÜR PERFEKTE ERGEBNISSE

Danke, dass Sie sich für dieses AEG Produkt entschieden haben. Wir haben es geschaffen, damit Sie viele Jahre von seiner ausgezeichneten Leistung und den innovativen Technologien, die Ihnen das Leben erleichtern, profitieren können. Es ist mit Funktionen ausgestattet, die in gewöhnlichen Geräten nicht vorhanden sind. Nehmen Sie sich ein paar Minuten Zeit zum Lesen, um seine Vorzüge kennen zu lernen.

Besuchen Sie uns auf unserer Website, um:



Sich Anwendungshinweise, Prospekte, Fehlerbehebungs- und Service-Informationen zu holen:

**[www.aeg.com/webselfservice](http://www.aeg.com/webselfservice)**



Ihr Produkt für einen besseren Service zu registrieren:

**[www.registeraeg.com](http://www.registeraeg.com)**



Zubehör, Verbrauchsmaterial und Original-Ersatzteile für Ihr Gerät zu kaufen:

**[www.aeg.com/shop](http://www.aeg.com/shop)**

## REPARATUR- UND KUNDENDIENST

Bitte verwenden Sie ausschließlich Original-Ersatzteile für Ihre Produkte. Halten Sie folgende Angaben bereit, wenn Sie sich an den Kundendienst wenden: Modell, Produktnummer (PNC), Seriennummer. Diese Informationen finden Sie auf dem Typenschild.

 Warnungs-/Sicherheitshinweise

 Allgemeine Informationen und Empfehlungen

 Informationen zum Umweltschutz

Änderungen vorbehalten.

### 1. SICHERHEITSHINWEISE

Lesen Sie vor der Montage und dem Gebrauch des Geräts zuerst die Bedienungsanleitung. Bei Verletzungen oder Schäden infolge nicht

ordnungsgemäßer Montage oder Verwendung übernimmt der Hersteller keine Haftung. Bewahren Sie die Anleitung zum Nachschlagen an einem sicheren und zugänglichen Ort auf.

## **1.1 Sicherheit von Kindern und schutzbedürftigen Personen**

- Das Gerät kann von Kindern ab 8 Jahren und Personen mit eingeschränkten physischen, sensorischen oder geistigen Fähigkeiten oder mit mangelnder Erfahrung und/oder mangelndem Wissen nur dann verwendet werden, wenn sie durch eine für ihre Sicherheit zuständige Person beaufsichtigt werden oder in die sichere Verwendung des Geräts eingewiesen wurden und die mit dem Gerät verbundenen Gefahren verstanden haben.
- Das Gerät kann von Kindern zwischen 3 und 8 Jahren und Personen mit schweren Behinderungen oder Mehrfachbehinderung benutzt werden, wenn Sie in die sichere Verwendung eingewiesen wurden.
- Halten Sie Kinder unter 3 Jahren vom Gerät fern, wenn sie nicht ständig beaufsichtigt werden.
- Kinder dürfen nicht mit dem Gerät spielen.
- Kinder dürfen keine Reinigung und Wartung ohne Beaufsichtigung durchführen.
- Halten Sie sämtliches Verpackungsmaterial von Kindern fern und entsorgen Sie es auf angemessene Weise.

## **1.2 Allgemeine Sicherheit**

- Dieses Gerät ist für die Verwendung im Haushalt und ähnliche Zwecke vorgesehen, wie z. B.:
  - Bauernhöfe, Personalküchenbereiche in Geschäften, Büros und anderen Arbeitsumfeldern
  - Für Gäste in Hotels, Motels, Pensionen und anderen wohnungsähnlichen Räumlichkeiten

- **WARNUNG:** Achten Sie darauf, dass die Belüftungsöffnungen im Schrank, um das Gerät und in der Einbaunische nicht blockiert sind.
- **WARNUNG:** Versuchen Sie nicht, den Abtauvorgang durch andere als vom Hersteller empfohlene mechanische oder sonstige Hilfsmittel zu beschleunigen.
- **WARNUNG:** Beschädigen Sie nicht den Kältekreislauf.
- **WARNUNG:** Betreiben Sie in den Lebensmittelfächern des Geräts keine anderen als die vom Hersteller empfohlenen Elektrogeräte.
- Reinigen Sie das Gerät nicht mit Wasserspray oder Dampf.
- Reinigen Sie das Gerät mit einem weichen, feuchten Tuch. Verwenden Sie ausschließlich Neutralreiniger. Benutzen Sie keine Scheuermittel, scheuernde Reinigungsschwämmchen, Lösungsmittel oder Metallgegenstände.
- Bewahren Sie in dem Gerät keine explosiven Substanzen, wie Spraydosen mit entzündlichen Treibgasen auf.
- Wenn das Netzkabel beschädigt ist, muss es vom Hersteller, seinem autorisierten Kundenservice oder einer gleichermaßen qualifizierten Person ausgetauscht werden, um Gefahrenquellen zu vermeiden.

## 2. SICHERHEITSANWEISUNGEN

### 2.1 Montage



**WARNUNG!**

Die Montage des Geräts darf nur von einer qualifizierten Fachkraft durchgeführt werden.

- Entfernen Sie das gesamte Verpackungsmaterial.
- Montieren Sie ein beschädigtes Gerät nicht und benutzen Sie es nicht.
- Verwenden Sie das Gerät aus Sicherheitsgründen nicht, bevor es in den Einbauschränk gesetzt wird.
- Halten Sie sich an die mitgelieferte Montageanleitung.
- Seien Sie beim Umsetzen des Gerätes vorsichtig, da es sehr schwer ist. Tragen Sie stets Sicherheitshandschuhe und festes Schuhwerk.
- Stellen Sie sicher, dass die Luft um das Gerät zirkulieren kann.
- Warten Sie nach der Montage oder dem Wechsel des Türanschlages

mindestens 4 Stunden, bevor Sie das Gerät an die Stromversorgung anschließen. Dies ist erforderlich, damit das Öl in den Kompressor zurückfließen kann.

- Ziehen Sie den Stecker aus der Steckdose, bevor Sie am Gerät arbeiten (z.B. Wechsel des Türanschlags).
- Stellen Sie das Gerät nicht in der Nähe von Heizkörpern, Herden, Backöfen oder Kochfeldern auf.
- Setzen Sie das Gerät nicht dem Regen aus.
- Stellen Sie das Gerät nicht dort auf, wo es direktem Sonnenlicht ausgesetzt sein könnte.
- Stellen Sie dieses Gerät nicht in Bereichen auf, die zu feucht oder kalt sind.
- Wenn Sie das Gerät verschieben möchten, heben Sie es bitte an der Vorderkante an, um den Fußboden nicht zu verkratzen.
- Das Gerät enthält einen Beutel mit Trockenmittel. Dieser Beutel ist kein Spielzeug. Dieser Beutel ist kein Lebensmittel. Bitte entsorgen Sie ihn umgehend.

## 2.2 Elektrischer Anschluss



### WARNUNG!

Brand- und Stromschlaggefahr.



### WARNUNG!

Achten Sie bei der Montage des Geräts darauf, dass das Netzkabel nicht eingeklemmt oder beschädigt wird.



### WARNUNG!

Verwenden Sie keine Mehrfachsteckdosen oder Verlängerungskabel.

- Das Gerät muss geerdet sein.
- Stellen Sie sicher, dass die Daten auf dem Typenschild mit den elektrischen Nennwerten der Netzspannung übereinstimmen.
- Schließen Sie das Gerät nur an eine ordnungsgemäß installierte Schutzkontaktsteckdose an.

- Achten Sie darauf, elektrische Bauteile (wie Netzstecker, Netzkabel und Kompressor) nicht zu beschädigen. Wenden Sie sich an den autorisierten Kundendienst oder einen Elektriker, um die elektrischen Bauteile auszutauschen.
- Das Netzkabel muss unterhalb des Netzsteckers verlegt werden.
- Stecken Sie den Netzstecker erst nach Abschluss der Montage in die Steckdose. Stellen Sie sicher, dass der Netzstecker nach der Montage noch zugänglich ist.
- Ziehen Sie nicht am Netzkabel, wenn Sie das Gerät von der Stromversorgung trennen möchten. Ziehen Sie stets am Netzstecker.

## 2.3 Gebrauch



### WARNUNG!

Es besteht Verletzungs-, Verbrennungs-, Stromschlag- oder Brandgefahr.



Das Gerät enthält Isobutan (R600a), ein brennbares Erdgas mit einem hohen Grad an Umweltverträglichkeit. Achten Sie darauf, den Kältekreislauf, der Isobutan enthält, nicht zu beschädigen.

- Nehmen Sie keine technischen Änderungen am Gerät vor.
- Stellen Sie keine elektrischen Geräte (z. B. Eisbereiter) in das Gerät, wenn solche Geräte nicht ausdrücklich vom Hersteller für diesen Zweck zugelassen sind.
- Wird der Kältekreislauf beschädigt, stellen Sie bitte sicher, dass es keine Flammen und Zündquellen im Raum gibt. Belüften Sie den Raum.
- Stellen Sie keine heißen Gegenstände auf die Kunststoffteile des Geräts.
- Legen Sie Erfrischungsgetränke nicht in das Gefrierfach. Dadurch entsteht Druck auf den Getränkebehälter.
- Bewahren Sie keine entzündbaren Gase und Flüssigkeiten im Gerät auf.
- Laden Sie keine entflammaren Produkte oder Gegenstände, die mit entflammaren Produkten benetzt



sind, in das Gerät und stellen Sie solche nicht in die Nähe oder auf das Gerät.

- Berühren Sie nicht den Kompressor oder den Kondensator. Sie sind heiß.
- Nehmen Sie keine Gegenstände aus dem Gefrierfach bzw. berühren Sie diese nicht, falls Ihre Hände nass oder feucht sind.
- Frieren Sie aufgetaute Lebensmittel nicht wieder ein.
- Befolgen Sie die Hinweise auf der Verpackung zur Aufbewahrung tiefgekühlter Lebensmittel.
- Wickeln Sie die Lebensmittel in Lebensmittelkontaktmaterial ein, bevor Sie sie in das Gefrierfach legen.

## 2.4 Innenbeleuchtung



**WARNUNG!**  
Stromschlaggefahr.

- Die in diesem Gerät verwendete Lampe ist nur für Haushaltsgeräte geeignet. Benutzen Sie diese nicht für die Raumbelichtung.

## 2.5 Reinigung und Pflege



**WARNUNG!**  
Verletzungsgefahr sowie Risiko von Schäden am Gerät.

- Schalten Sie das Gerät immer aus und ziehen Sie den Netzstecker aus der Steckdose, bevor Reinigungsarbeiten durchgeführt werden.
- Der Kältekreis des Gerätes enthält Kohlenwasserstoffe. Das Gerät muss

von einer qualifizierten Fachkraft gewartet und nachgefüllt werden.

- Prüfen Sie regelmäßig den Wasserabfluss des Geräts und reinigen Sie ihn gegebenenfalls. Bei verstopftem Wasserabfluss sammelt sich das Abtauwasser am Boden des Geräts an.

## 2.6 Service

- Wenden Sie sich zur Reparatur des Geräts an den autorisierten Kundendienst.
- Verwenden Sie ausschließlich Originalersatzteile.

## 2.7 Entsorgung



**WARNUNG!**  
Verletzungs- und Erstickungsgefahr.

- Trennen Sie das Gerät von der Stromversorgung.
- Schneiden Sie das Netzkabel ab, und entsorgen Sie es.
- Entfernen Sie die Tür, um zu verhindern, dass sich Kinder oder Haustiere in dem Gerät einschließen.
- Der Kältekreislauf und die Isolierungsmaterialien dieses Gerätes sind ozonfreundlich.
- Die Isolierung enthält entzündliches Gas. Für Informationen zur korrekten Entsorgung des Gerätes wenden Sie sich an Ihre kommunale Behörde.
- Achten Sie darauf, dass die Kühleinheit in der Nähe des Wärmetauschers nicht beschädigt wird.

# 3. MONTAGE



**WARNUNG!**  
Siehe Kapitel Sicherheitshinweise.



**WARNUNG!**  
Lesen Sie zur Installation des Geräts die Montageanleitung.



**WARNUNG!**  
Befestigen Sie das Gerät gemäß der Montageanleitung, um das Risiko eines instabilen Geräts zu vermeiden.

## 3.1 Standort

Damit das Gerät die optimale Leistung bringen kann, sollte es weit entfernt von

Wärmequellen wie Heizungskörpern, Boilern, direktem Sonnenlicht usw. aufgestellt werden. Die Luft muss frei an der Rückseite des Gerätes zirkulieren können.

### 3.2 Aufstellung

Installieren Sie dieses Gerät in einem trockenen, gut belüfteten Raum, an dem die Umgebungstemperatur mit der Klimaklasse übereinstimmt, die auf dem Typenschild des Gerätes angegeben ist.

Klima-klasse	Umgebungstemperatur
SN	+10 °C bis +32 °C
N	+16 °C bis +32 °C
ST	+16 °C bis +38 °C
T	+16 °C bis +43 °C



Bei einigen Modellen können Funktionsstörungen auftreten, wenn sie außerhalb dieses Temperaturbereichs betrieben werden. Der ordnungsgemäße Betrieb wird nur innerhalb des angegebenen Temperaturbereichs gewährleistet. Bei Fragen zum Aufstellungsort des Gerätes wenden Sie sich an den Verkäufer, unseren Kundendienst oder nächstgelegenen autorisierten Service-Partner.

### 3.3 Elektroanschluss

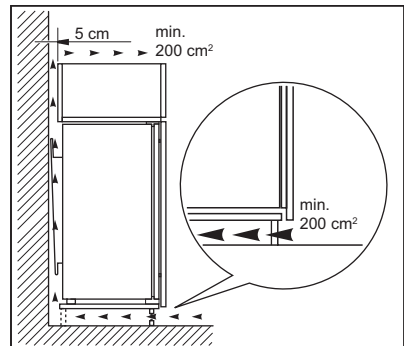
- Kontrollieren Sie vor der ersten Benutzung des Gerätes, ob die

Netzspannung und -frequenz Ihres Hausanschlusses mit den auf dem Typenschild angegebenen Anschlusswerten übereinstimmen.

- Das Gerät muss geerdet sein. Zu diesem Zweck ist der Netzstecker mit einem Schutzkontakt ausgestattet. Falls die Steckdose Ihres Hausanschlusses nicht geerdet sein sollte, lassen Sie das Gerät gemäß den geltenden Vorschriften von einem qualifizierten Elektriker erden.
- Der Hersteller übernimmt keinerlei Haftung bei Missachtung der vorstehenden Sicherheitshinweise.
- Das Gerät entspricht den EC-Richtlinien.

### 3.4 Anforderungen an die Belüftung

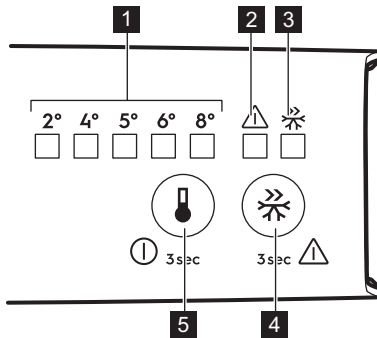
Hinter dem Gerät muss genug Platz für eine ausreichende Luftzirkulation sein.



**VORSICHT!**  
Beachten Sie bei der Installation die Montageanleitung.

## 4. BETRIEB

### 4.1 Bedienfeld



- 1** Anzeige-LED Temperatur
- 2** Anzeige-LED Gefrierraumalarm
- 3** Anzeige-LED Frostmatic
- 4** Taste Frostmatic  
Taste zum Zurücksetzen des Alarms
- 5** Temperaturregler  
Taste EIN/AUS

### 4.2 Einschalten

1. Stecken Sie den Stecker in die Netzsteckdose.
2. Berühren Sie den Temperaturregler, wenn alle LEDs ausgeschaltet sind.

### 4.3 Ausschalten des Geräts

Halten Sie den Temperaturregler länger als 3 Sek. gedrückt.  
Alle Kontrolllampen erlöschen.

### 4.4 Temperaturregelung

Zur Inbetriebnahme des Geräts, berühren Sie den Temperaturregler, bis die LED der gewünschten Temperatur aufleuchtet. Die Temperatur kann im Bereich von 2 °C bis 8 °C eingestellt werden.

- i** Niedrigste Temperatur: +2 °C.  
Höchste Temperatur: +8 °C.  
Eine mittlere Einstellung ist im Allgemeinen am besten geeignet.

Berücksichtigen Sie für eine exakte Einstellung, dass die Temperatur im Inneren des Geräts von folgenden Faktoren abhängt:

- Raumtemperatur
- Häufigkeit der Türöffnung
- Menge der gelagerten Lebensmittel

- Aufstellungsort des Geräts.

1. Berühren Sie den Temperaturregler. Die Kontrolllampe der aktuellen Temperatur blinkt. Mit jeder Berührung des Temperaturreglers ändert sich die Einstellung um eine Position. Die entsprechende LED blinkt eine Zeit lang.
2. Berühren Sie den Temperaturregler so oft, bis die gewünschte Temperatur ausgewählt ist.

### 4.5 Funktion Frostmatic

Sie können die Funktion Frostmatic durch Drücken der Taste Frostmatic einschalten.

Die entsprechende LED für die Funktion „Frostmatic“ leuchtet auf.

Sie können die Funktion Frostmatic durch Drücken der Taste Frostmatic ausschalten.

Die Kontrolllampe für die Funktion Frostmatic erlischt.

- i** Diese Funktion endet automatisch nach 52 Stunden.

### 4.6 Hochtemperaturalarm

Beim ersten Einschalten des Geräts oder nach einem Temperaturanstieg im Gefrierraum (zum Beispiel nach einem Stromausfall) blinkt die Anzeige

Gefrierraumalarm. Die Anzeige Gefrierraumalarm erlischt, sobald die normalen Bedingungen wieder hergestellt sind.

Halten Sie zum manuellen Zurücksetzen des Gefrierraumalarms die Taste Frostmatic 3 Sekunden gedrückt.



Leuchtet die Anzeige Gefrierraumalarm, muss sie zurückgesetzt werden, bevor andere Vorgänge ausgeführt werden können. Nach dem Zurücksetzen leuchtet die Alarmanzeige permanent, bis die normalen Bedingungen wieder hergestellt sind.

## 5. TÄGLICHER GEBRAUCH



### WARNUNG!

Siehe Kapitel Sicherheitshinweise.

### 5.1 Reinigen des Innenraums

Bevor Sie das Gerät in Betrieb nehmen, beseitigen Sie den typischen Neugeruch am besten durch Reinigen der Innenteile mit lauwarmem Wasser und einer neutralen Seife. Sorgfältig nachtrocknen.



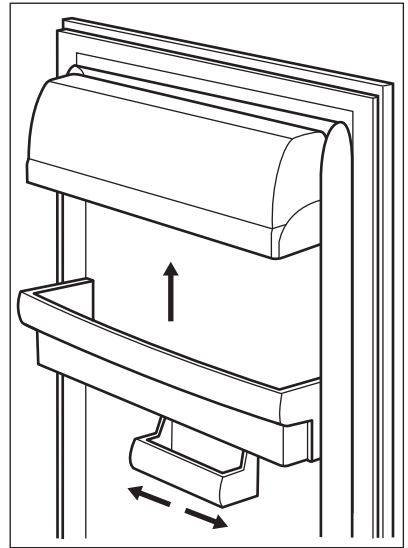
### VORSICHT!

Verwenden Sie keine chemischen Reinigungsmittel, Scheuerpulver, chlor- oder ölhaltige Reinigungsmittel, da diese die Oberfläche beschädigen.

### 5.2 Positionieren der Türablagen

Die Türablagen können in verschiedener Höhe positioniert werden; damit ermöglichen sie das Lagern verschieden großer Lebensmittelpackungen.

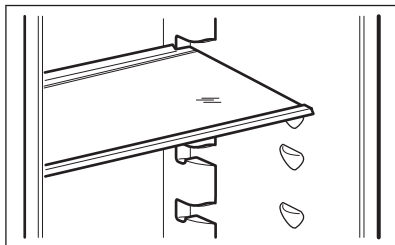
1. Ziehen Sie die Ablage langsam nach oben, bis sie sich löst.
2. Setzen Sie die Ablage in gewünschter Höhe ein.



Dieses Modell ist mit einem variablen Lagerfach ausgerüstet, das sich seitlich verschieben lässt.

### 5.3 Verstellbare Ablagen

Die Wände des Kühlschranks sind mit einer Reihe von Führungsschienen ausgestattet, die verschiedene Möglichkeiten für das Einsetzen der Ablagen bieten.



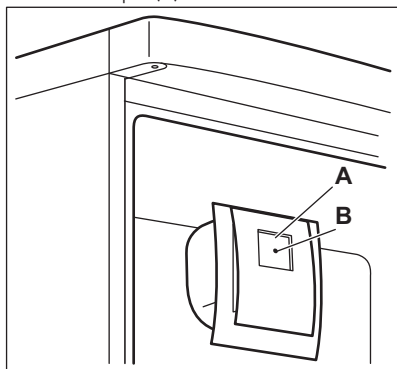
- i** Die Glasablage über der Gemüseschublade sollte jedoch nicht verstellt werden, um eine korrekte Luftzirkulation zu gewährleisten.

## 5.4 Funktion DYNAMICAIR

Mit der Funktion DYNAMICAIR werden die Lebensmittel schneller gekühlt und eine gleichmäßigere Temperatur im Kühlraum erzeugt.

- i** DYNAMICAIR sollte eingeschaltet werden, wenn die Umgebungstemperatur über 25 °C steigt.

Drücken Sie zum Einschalten des Ventilators den Schalter (A). Die grüne Kontrolllampe (B) leuchtet auf.



- i** Wenn Sie das Gerät ausschalten, schalten Sie auch den Ventilator durch Drücken der Taste (A) aus. Die grüne Kontrolllampe (B) erlischt.

## 5.5 Gefrieren und Lagern gefrorener Lebensmittel

Der Gefrierraum eignet sich zum Einfrieren von frischen Lebensmitteln und zum längerfristigen Lagern von bereits gefrorenen und tiefgefrorenen Lebensmitteln.

Lassen Sie das Gerät vor der ersten Inbetriebnahme oder nach einer längeren Zeit der Nichtbenutzung mindestens zwei Stunden lang mit der Einstellung Frostmatic laufen, bevor Sie Lebensmittel in das Fach legen. Um frische Lebensmittel einzufrieren, schalten Sie die Frostmatic-Funktion mindestens 24 Stunden, bevor Sie die Lebensmittel in das Gefrierfach legen, ein.

Um frische Lebensmittel einzufrieren, legen Sie sie das mittlere Fach.

Die maximale Menge an Lebensmitteln, die in 24 Stunden eingefroren werden kann, ist auf dem **Typenschild** angegeben, das sich im Innern des Geräts befindet.

Der Gefriervorgang dauert 24 Stunden: Legen Sie während dieses Zeitraums keine weiteren einzufrierenden Lebensmittel in den Gefrierraum.

Kam es zum Beispiel durch einen Stromausfall, der länger dauerte als der in der Tabelle mit den technischen Daten angegebene Wert (siehe „Lagerzeit bei Störung“), zu einem ungewollten Abtauen, dann müssen die aufgetauten Lebensmittel sehr rasch verbraucht oder sofort gekocht und nach dem Abkühlen erneut eingefroren werden.

## 5.6 Auftauen

Tiefgefrorene oder gefrorene Lebensmittel können vor der Verwendung je nach der zur Verfügung stehenden Zeit im Kühlschrank oder bei Raumtemperatur aufgetaut werden.

Kleinere Gefriergutteile können sogar direkt aus dem Gefriergerät entnommen und anschließend sofort gekocht werden. In diesem Fall dauert der Garvorgang allerdings etwas länger.

## 5.7 Herstellen von Eiswürfeln

Dieses Gerät ist mit einer oder mehreren Schalen für die Herstellung von Eiswürfeln ausgestattet.



Verwenden Sie zum Entnehmen der Schalen aus dem Gefrierfach keine Gegenstände aus Metall.

1. Füllen Sie die Schalen mit Wasser
2. Stellen Sie die Eisschalen in das Gefrierfach.

## 6. TIPPS UND HINWEISE

### 6.1 Normale Betriebsgeräusche

Folgende Geräusche sind während des normalen Gerätebetriebs normal:

- Ein leichtes Gurgeln und Blubbern, wenn das Kältemittel durch die Leitungen gepumpt wird.
- Ein Surren und ein pulsierendes Geräusch vom Kompressor, wenn das Kältemittel durch die Leitungen gepumpt wird.
- Ein plötzliches Knackgeräusch aus dem Geräteinneren, verursacht durch thermische Ausdehnung (eine natürliche und nicht gefährliche physikalische Erscheinung).
- Leises Klicken des Temperaturreglers, wenn sich der Kompressor ein- oder ausschaltet.

### 6.2 Tipps zum Energiesparen

- Eco Modus /Die Standardeinstellung konserviert frische und tiefgekühlte Lebensmittel und spart Energie.
- Fach für frische Lebensmittel (Kühlschrank): Die effizienteste Energienutzung wird erreicht, wenn die Schubladen im unteren Teil des Geräts eingesetzt und die Ablagen gleichmäßig angeordnet sind. Die Position der Türablagen wirkt sich nicht auf den Energieverbrauch aus.
- Fach für gefrorene Lebensmittel (Gefriergerät): Die interne Konfiguration des Geräts gewährleistet die effizienteste Energienutzung.
- Wenn die Umgebungstemperatur hoch ist, der Temperaturregler auf eine niedrige Temperatur eingestellt und das Gerät voll beladen ist, kann

es zu andauerndem Betrieb des Kompressors und damit zu Reif- oder Eisbildung am Verdampfer kommen. Stellen Sie in diesem Fall den Temperaturregler auf eine höhere Temperatur, um das automatische Abtauen zu ermöglichen und Energie zu sparen.

- Öffnen Sie die Tür nicht zu häufig, und lassen Sie diese nicht länger offen als notwendig.

### 6.3 Hinweise für die Kühlung frischer Lebensmittel

- Legen Sie keine warmen Lebensmittel oder dampfende Flüssigkeiten in den Kühlschrank.
- Decken Sie die Lebensmittel ab oder verpacken Sie diese entsprechend, besonders wenn sie stark riechen.
- Legen Sie die Lebensmittel so hinein, dass die Luft frei um sie zirkulieren kann.

### 6.4 Hinweise für die Kühlung

Tipps:

- Fleisch (alle Sorten): Wickeln Sie Fleisch in geeignetes Material und legen Sie dieses auf die Glasablage über der Gemüseschublade. Lagern Sie Fleisch höchstens 1 - 2 Tage.
- Gekochte Lebensmittel, kalte Gerichte: Decken Sie die Speisen ab und ordnen Sie sie auf einer beliebigen Ablage ein.
- Obst und Gemüse: Gründlich reinigen und in der speziellen Schublade aufbewahren. Bananen, Kartoffeln, Zwiebeln und Knoblauch sollten im Kühlschrank nicht unverpackt aufbewahrt werden.

- Butter und Käse: Diese sollten stets in speziellen luftdichten Behältern verpackt sein oder in Aluminiumfolie bzw. in lebensmittelechte Tüten eingepackt werden, um so wenig Luft wie möglich in der Verpackung zu haben.
- Flaschen: Sie sollten mit Deckel in der Flaschenablage in der Tür oder im Flaschenhalter (falls vorhanden) aufbewahrt werden.

## 6.5 Hinweise zum Einfrieren

- Frieren Sie ausschließlich frische und gründlich gewaschene Lebensmittel von sehr guter Qualität ein.
- Teilen Sie die Lebensmittel in kleine Portionen, um das Einfrieren und Auftauen zu erleichtern.
- Verpacken Sie die Lebensmittel in Alu- oder Kunststoffolie. Vergewissern Sie sich, dass die Verpackung luftdicht ist.
- Um eine Erwärmung bereits eingefrorener Lebensmittel zu verhindern, legen Sie die frischen, nicht gefrorenen Lebensmittel nicht direkt neben sie.
- Weniger fetthaltige Lebensmittel lassen sich besser lagern als

fetthaltigere. Salz verkürzt die Lagerzeit von Lebensmitteln.

- Essen Sie keine Eiswürfel, Wassereis oder Eis am Stiel, wenn sie direkt aus dem Gefriergerät genommen wurden. Gefahr von Erfrierungen.
- Es empfiehlt sich, das Einfrierdatum auf jeder einzelnen Packung zu notieren, um einen genauen Überblick über die Lagerzeit zu haben.

## 6.6 Hinweise zur Lagerung gefrorener Lebensmittel

- Prüfen Sie sorgfältig, ob die im Handel erworbenen gefrorenen Lebensmittel sachgerecht gelagert wurden.
- Achten Sie unbedingt darauf, die eingekauften gefrorenen Lebensmittel in der kürzest möglichen Zeit in Ihr Gefriergerät zu bringen.
- Aufgetaute Lebensmittel verderben sehr schnell und eignen sich nicht für ein erneutes Einfrieren.
- Das Haltbarkeitsdatum auf der Tiefkühlkostverpackung sollte nicht überschritten werden.

# 7. REINIGUNG UND PFLEGE



### WARNUNG!

Siehe Kapitel Sicherheitshinweise.

## 7.1 Allgemeine Warnhinweise



### VORSICHT!

Ziehen Sie vor jeder Wartungsmaßnahme immer den Netzstecker aus der Steckdose.



Dieses Gerät enthält Kohlenwasserstoffe in seinem Kältekreislauf. Aus diesem Grund dürfen die Wartung und das Nachfüllen ausschließlich durch autorisiertes Fachpersonal erfolgen.



Das Zubehör des Geräts und die Innenteile eignen sich nicht für die Reinigung im Geschirrspüler.

## 7.2 Regelmäßige Reinigung



### VORSICHT!

Ziehen Sie nicht an Leitungen und/oder Kabeln im Innern des Geräts und achten Sie darauf, diese nicht zu verschieben oder zu beschädigen.



### VORSICHT!

Beschädigen Sie nicht das Kühlsystem.

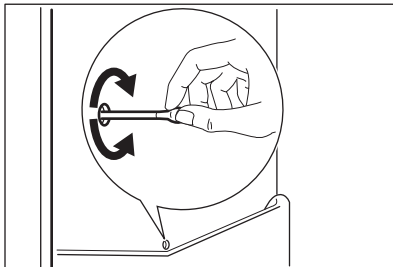
Das gesamte Gerät muss regelmäßig gereinigt werden:

1. Reinigen Sie das Innere und die Zubehörteile mit lauwarmem Wasser und etwas Neutralseife.
2. Prüfen und säubern Sie die Türdichtungen in regelmäßigen Abständen, um zu gewährleisten, dass diese sauber und frei von Fremdkörpern sind.
3. Spülen und trocknen Sie diese sorgfältig ab.
4. Reinigen Sie den Kondensator und den Kompressor auf der Geräterückseite, falls diese zugänglich sind, mit einer Bürste. Dadurch verbessert sich die Leistung des Geräts und es verbraucht weniger Strom.

### 7.3 Abtauen des Kühlschranks

Bei normalem Betrieb wird Reif bei jedem Anhalten des Kompressors automatisch vom Verdampfer des Kühlschranks entfernt. Das Tauwasser sammelt sich in einer Auffangrinne und läuft durch eine Abflussöffnung in einen speziellen Behälter an der Rückseite des Geräts über dem Kompressor, wo es verdampft.

Reinigen Sie deshalb regelmäßig die Abflussöffnung in der Mitte der Auffangrinne an der Rückwand des Kühlraums, damit das Tauwasser nicht überläuft und auf die eingelagerten Lebensmittel tropft.



### 7.4 Abtauen des Gefriergeräts



#### VORSICHT!

Verwenden Sie niemals scharfe Metallwerkzeuge, um Reif vom Verdampfer zu kratzen, weil er dadurch beschädigt werden könnte. Versuchen Sie nicht, den Abtauvorgang durch andere als vom Hersteller empfohlene mechanische oder sonstige Hilfsmittel zu beschleunigen.



Stellen Sie ungefähr 12 Stunden vor dem Abtauen eine niedrigere Temperatur ein, um ausreichend Kältereserve für die Betriebsunterbrechung aufzubauen.

Auf den Ablagen des Gefriergeräts und im Innern des oberen Fachs bildet sich stets etwas Reif.

Tauen Sie das Gefriergerät ab, wenn die Reifschicht eine Stärke von etwa 3 bis 5 mm erreicht hat.

1. Schalten Sie das Gerät aus, oder ziehen Sie den Netzstecker aus der Steckdose.
2. Entfernen Sie das gesamte Gefriergut, packen Sie es in mehrere Schichten Zeitungspapier und lagern Sie es an einen kühlen Ort.



#### VORSICHT!

Ein Temperaturanstieg der gefrorenen Lebensmittelpakete während des Abtauens kann deren Haltbarkeitsdauer verkürzen. Fassen Sie gefrorene Lebensmittel nicht mit nassen Händen an. Ihre Hände könnten an den Lebensmitteln festfrieren.

3. Lassen Sie die Tür offen. Schützen Sie den Boden vor dem Abtauwasser, z.B. mit einem Tuch oder einem flachen Behälter.



4. Zur Beschleunigung des Abtauprozesses stellen Sie einen Topf mit warmem Wasser in das Gefrierfach. Entfernen Sie bereits während des Abtauprozesses vorsichtig Eisstücke, die sich lösen lassen.
5. Wenn der Gefrierraum vollständig abgetaut ist, wischen Sie das Innere sorgfältig trocken. .
6. Schalten Sie das Gerät ein und schließen Sie die Tür.
7. Drehen Sie den Temperaturregler auf eine höhere Einstellung, um die maximal mögliche Kühlung zu erreichen, und lassen Sie das Gerät zwei bis drei Stunden mit dieser Einstellung laufen.

Legen Sie das Gefriergut erst nach dieser Zeit wieder in das Gefrierfach.

1. Trennen Sie das Gerät von der Spannungsversorgung.
2. Entnehmen Sie alle Lebensmittel.
3. Tauen Sie das Gerät ab (falls erforderlich).
4. Reinigen Sie das Gerät und alle Zubehörteile.
5. Lassen Sie die Tür(en) offen, um das Entstehen unangenehmer Gerüche zu vermeiden.



**VORSICHT!**

Möchten Sie bei einer längeren Abwesenheit das Gerät weiter laufen lassen, bitten Sie jemanden, es gelegentlich zu prüfen, damit die Lebensmittel bei einem möglichen Stromausfall nicht im Innern des Gerätes verderben.

**7.5 Stillstandszeiten**

Bei längerem Stillstand des Geräts müssen Sie folgende Vorkehrungen treffen:

**8. FEHLERSUCHE**



**WARNUNG!**

Siehe Kapitel Sicherheitshinweise.

**8.1 Was tun, wenn...**

Störung	Mögliche Ursache	Abhilfe
Das Gerät funktioniert nicht.	Das Gerät ist ausgeschaltet.	Schalten Sie das Gerät ein
	Der Netzstecker wurde nicht richtig in die Steckdose gesteckt.	Stecken Sie den Netzstecker korrekt in die Steckdose.
	Es liegt keine Spannung an der Steckdose an.	Testen Sie, ob ein anderes Gerät an dieser Steckdose funktioniert. Wenden Sie sich an eine Elektrofachkraft.
Es wird ein akustisches oder optisches Alarmsignal ausgelöst.	Das Gerät wurde erst kürzlich eingeschaltet oder die Temperatur ist zu hoch.	Siehe „Hochtemperaturwarnung“.

Störung	Mögliche Ursache	Abhilfe
	Die Temperatur im Gerät ist zu hoch.	Wenden Sie sich an einen qualifizierten Elektriker oder die nächste autorisierte Kundendienststelle.
Die Lampe funktioniert nicht.	Die Lampe befindet sich im Standby-Modus.	Schließen und öffnen Sie die Tür.
	Die Lampe ist defekt.	Kontaktieren Sie den nächsten autorisierten Kundendienst.
Der Kompressor ist durchgehend in Betrieb.	Die Temperatur wurde falsch eingestellt.	Siehe „Betrieb“.
	Es wurden zu viele Lebensmittel gleichzeitig eingelegt.	Warten Sie einige Stunden und prüfen Sie dann die Temperatur erneut.
	Die Raumtemperatur ist zu hoch.	Siehe Klimaklasse auf dem Typenschild.
	In das Gerät eingelegte Lebensmittel waren noch zu warm.	Lassen Sie die Lebensmittel auf Raumtemperatur abkühlen, bevor Sie sie einlagern.
	Die Tür ist nicht richtig geschlossen.	Siehe „Schließen der Tür“.
	Die Funktion „Frostmatic“ ist eingeschaltet.	Siehe Funktion „Frostmatic“.
Zu starke Reif- und Eisbildung.	Die Tür ist nicht richtig geschlossen oder die Dichtung hat sich verformt/ist verschmutzt.	Siehe „Schließen der Tür“.
	Der Wasserablaufstopfen sitzt nicht richtig.	Setzen Sie den Wasserablaufstopfen richtig ein.
	Das Gerät ist voll beladen und auf die niedrigste Temperatur eingestellt.	Stellen Sie eine höhere Temperatur ein. Siehe „Betrieb“.
	Die Temperatur im Gerät ist zu niedrig und die Umgebungstemperatur zu hoch.	Stellen Sie eine höhere Temperatur ein. Siehe „Betrieb“.
	Die Temperatur wurde falsch eingestellt.	Siehe „Betrieb“.

<b>Störung</b>	<b>Mögliche Ursache</b>	<b>Abhilfe</b>
Der Kompressor schaltet sich nicht sofort ein, nachdem Sie „Frostmatic“ gedrückt oder die Temperatur auf einen anderen Wert eingestellt haben.	Das ist normal, es ist kein Fehler aufgetreten.	Der Kompressor schaltet sich erst nach einer Weile ein.
Wasser fließt an der Rückwand des Kühlschranks hinunter.	Während des automatischen Abtauprozesses schmilzt Reif auf der Rückwand.	Dies ist normal.
Wasser fließt in den Kühlschrank.	Die eingelagerten Lebensmittel verhindern, dass das Wasser zum Wassersammler fließt.	Stellen Sie sicher, dass die Lebensmittel nicht die Rückwand berühren.
	Der Wasserablauf ist verstopft.	Reinigen Sie den Wasserablauf.
Wasser läuft auf den Boden.	Der Tauwasserablauf ist nicht mit der Verdampferschale über dem Kompressor verbunden.	Verbinden Sie den Tauwasserablauf mit der Verdampferschale.
Die Temperatur kann nicht eingestellt werden.	Die Funktion „Frostmatic“ ist eingeschaltet.	Schalten Sie die Funktion „Frostmatic“ manuell aus, oder warten Sie mit dem Einstellen der Temperatur, bis die Funktion automatisch ausgeschaltet wird. Siehe Funktion „Frostmatic“.
Die Temperatur im Gerät ist zu niedrig/zu hoch.	Der Temperaturregler ist nicht richtig eingestellt.	Stellen Sie eine höhere/niedrigere Temperatur ein.
	Die Tür ist nicht richtig geschlossen.	Siehe „Schließen der Tür“.
	Die Temperatur der zu kühlenden Lebensmittel ist zu hoch.	Lassen Sie die Lebensmittel auf Raumtemperatur abkühlen, bevor Sie sie in das Gerät geben.
	Es wurden zu viele Lebensmittel gleichzeitig eingelegt.	Legen Sie weniger Lebensmittel gleichzeitig ein.
	Die Reifschicht ist dicker als 4 - 5 mm.	Tauen Sie das Gerät ab.
	Die Tür wurde zu häufig geöffnet.	Öffnen Sie die Tür nur, wenn es notwendig ist.

Störung	Mögliche Ursache	Abhilfe
	Die Funktion „Frostmatic“ ist eingeschaltet.	Siehe Funktion „Frostmatic“.
	Die Kaltluft kann im Gerät nicht zirkulieren.	Kaltluftzirkulation im Gerät sicherstellen.
Alle LEDs der einstellbaren Temperaturen blinken gleichzeitig.	Fehler beim Messen der Temperatur.	Kontaktieren Sie den nächsten autorisierten Kundendienst. Das Kühlsystem hält zwar die eingelagerten Lebensmittel weiterhin kühl, doch eine Temperatureinstellung ist nicht mehr möglich.



Bitte wenden Sie sich an den nächsten autorisierten Kundendienst, wenn alle genannten Abhilfemaßnahmen nicht zum gewünschten Erfolg führen.

## 8.2 Austauschen der Lampe

Das Gerät ist mit einer langlebigen LED-Innenbeleuchtung ausgestattet.

Die Beleuchtung darf nur von einer Fachkraft ausgetauscht werden. Wenden

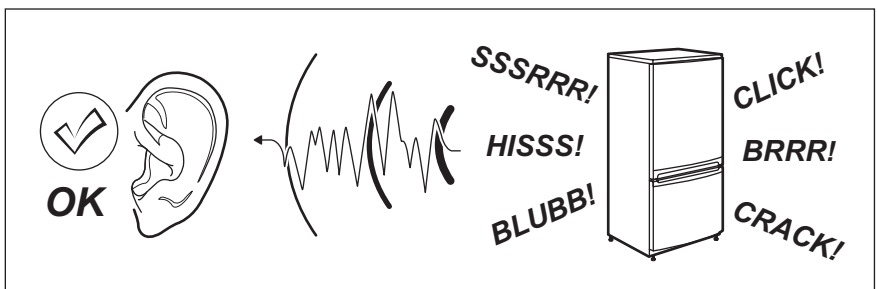
Sie sich an Ihren autorisierten Kundendienst.

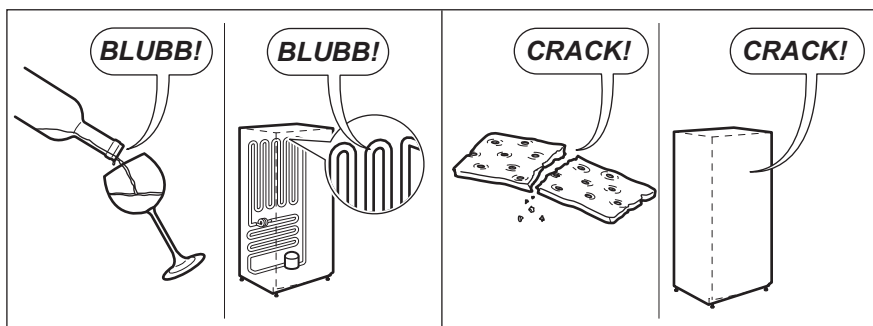
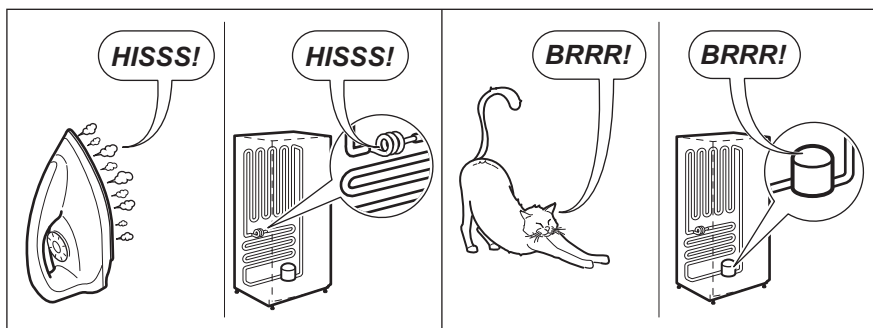
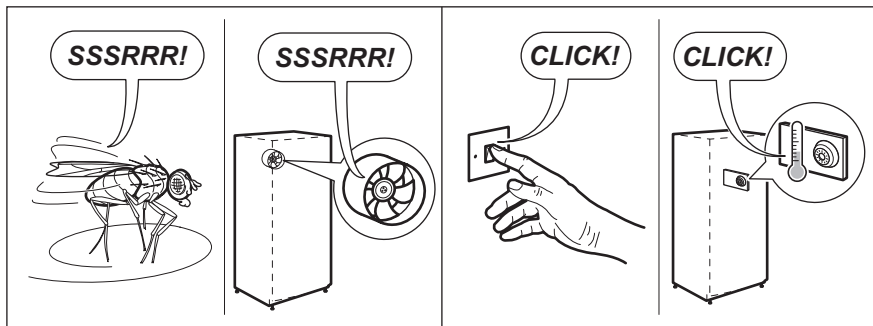
## 8.3 Schließen der Tür

1. Reinigen Sie die Türdichtungen.
2. Stellen Sie die Tür nach Bedarf ein. Siehe die Montageanleitung.
3. Ersetzen Sie die defekten Türdichtungen, falls erforderlich. Wenden Sie sich an einen autorisierten Kundendienst.

# 9. GERÄUSCHE

Während das Gerät in Betrieb ist, entstehen bestimmte Geräusche (Kompressor und Kühlkreislauf).





## 10. TECHNISCHE DATEN

### 10.1 Produktdatenblatt

Warenzeichen	AEG
Modellkennung	SCB61921FS 925560002
Kategorie	7. Kühl-Gefrierschrank
Energieeffizienzklasse	A++

Energieverbrauch in kWh/Jahr, auf der Grundlage von Ergebnissen der Normprüfung über 24 Stunden. Der tatsächliche Verbrauch hängt von der Nutzung und vom Standort des Geräts ab	235
Nutzinhalt in Liter, Kühlgerät	213
Nutzinhalt in Liter, Star	-
Nutzinhalt in Liter, Kellerzone	-
Nutzinhalt in Liter, Wein	-
Nutzinhalt in Liter, Total	285
Nutzinhalt in Liter, Gefrierschrank,	72
Nutzinhalt in Liter, Kühler	-
Nutzinhalt in Liter, andere Lagerfächer	-
Sternebewertung des Gefrierfachs mit dem höchsten Lagerraum in Liter	****
Auslegungstemperatur der anderen Fächer > 14 °C (°C), falls vorhanden	-
Frostfrei (J/N), Kühlgerät	Nein
Frostfrei (J/N), Gefrierschrank	Nein
Stromausfallsicherung in Stunden Std.	21
Gefriervermögen in kg/24 Stunden	12
Klimaklasse	SN-N-ST-T
Niedrigste Temperature, bei der das Gerät zur Verwendung bestimmt ist, in °C	10
Höchste Temperature, bei der das Gerät zur Verwendung bestimmt ist, in °C	43
Luftschallemissionen in db(A) re1 pW	36
Einbaugerät (J/N)	Ja
Dieses Gerät ist ausschließlich zur Lagerung von Wein bestimmt (J/N)	Nein

## 10.2 Zusätzliche technische Daten


Abmessungen der Aussparung	
Höhe	1894 mm
Breite	560 mm


Tiefe	550 mm
Spannung	230 - 240 V
Frequenz	50 Hz

Die technischen Daten befinden sich auf dem Typenschild auf der Innen- oder

Außenseite des Geräts sowie auf dem Energielabel.

## 11. UMWELTTIPPS

Recyceln Sie Materialien mit dem Symbol . Entsorgen Sie die Verpackung in den entsprechenden Recyclingbehältern. Recyceln Sie zum Umwelt- und Gesundheitsschutz elektrische und elektronische Geräte. Entsorgen Sie

Geräte mit diesem Symbol  nicht mit dem Hausmüll. Bringen Sie das Gerät zu Ihrer örtlichen Sammelstelle oder wenden Sie sich an Ihr Gemeindeamt.

## CONTENIDO

1. INFORMACIÓN SOBRE SEGURIDAD.....	56
2. INSTRUCCIONES DE SEGURIDAD.....	58
3. INSTALACIÓN.....	60
4. FUNCIONAMIENTO.....	61
5. USO DIARIO.....	62
6. CONSEJOS.....	64
7. MANTENIMIENTO Y LIMPIEZA.....	66
8. SOLUCIÓN DE PROBLEMAS.....	67
9. RUIDOS.....	70
10. DATOS TÉCNICOS.....	72

## PARA OBTENER RESULTADOS PERFECTOS

Gracias por escoger este producto AEG. Este artículo ha sido creado para ofrecer un rendimiento impecable durante muchos años, con innovadoras tecnologías que facilitarán su vida y prestaciones que probablemente no encuentre en electrodomésticos corrientes. Por favor, dedique algunos minutos a la lectura para disfrutar de todas sus ventajas.

Consulte en nuestro sitio web:



Obtener consejos, folletos, soluciones a problemas e información de servicio:  
**[www.aeg.com/webselfservice](http://www.aeg.com/webselfservice)**



Registrar su producto para recibir un mejor servicio:  
**[www.registreaeg.com](http://www.registreaeg.com)**



Adquirir accesorios, artículos de consumo y recambios originales para su aparato:  
**[www.aeg.com/shop](http://www.aeg.com/shop)**

## ATENCIÓN Y SERVICIO AL CLIENTE


Le recomendamos que utilice recambios originales.

Al contactar con nuestro centro autorizado de servicio técnico, cerciñese de tener la siguiente información a mano: Modelo, PNC, Número de serie.

La información se puede encontrar en la placa de características.

 Advertencia / Precaución-Información sobre seguridad

 Información general y consejos

 Información sobre el medio ambiente

Salvo modificaciones.

### 1. INFORMACIÓN SOBRE SEGURIDAD

Antes de instalar y utilizar el aparato, lea atentamente las instrucciones facilitadas. El fabricante no se hace responsable de lesiones o daños producidos como resultado de una instalación o un uso incorrectos.



Conserve siempre estas instrucciones en lugar seguro y accesible para futuras consultas.

## 1.1 Seguridad de niños y personas vulnerables

- Este aparato puede ser utilizado por niños de 8 años en adelante y personas cuyas capacidades físicas, sensoriales o mentales estén disminuidas o que carezcan de la experiencia y conocimientos suficientes para manejarlo, siempre que cuenten con las instrucciones o la supervisión sobre el uso del electrodoméstico de forma segura y comprendan los riesgos.
- Este aparato pueden utilizarlo niños entre 3 y 8 años, así como las personas con minusvalías importantes y complejas, siempre que estén bajo supervisión continua.
- Es necesario mantener alejados del aparato a los niños de menos de 3 años salvo que estén bajo supervisión continua.
- No deje que los niños jueguen con el aparato.
- La limpieza y mantenimiento de usuario del aparato no podrán ser realizados por niños sin supervisión.
- Mantenga todo el material de embalaje fuera del alcance de los niños y deséchelo de forma adecuada.

## 1.2 Seguridad general

- Este aparato está concebido para utilizarse en aplicaciones domésticas y similares, tales como:
  - Granjas; áreas de cocina para el personal en tiendas, oficinas y otros entornos de trabajo
  - Por clientes en hoteles, moteles, pensiones y otros entornos de tipo residencial
- **ADVERTENCIA:** Mantenga libres de obstrucciones las aberturas de ventilación del alojamiento del aparato o de la estructura empotrada.
- **ADVERTENCIA:** No utilice dispositivos mecánicos ni medios artificiales para acelerar el proceso de

descongelación, excepto los recomendados por el fabricante.

- **ADVERTENCIA:** No dañe el circuito del refrigerante.
- **ADVERTENCIA:** No utilice dispositivos eléctricos dentro de los compartimientos para alimentos del aparato, salvo si son del tipo recomendado por el fabricante.
- No utilice pulverizadores ni vapor de agua para limpiar el aparato.
- Limpie el aparato con un paño suave humedecido. Utilice solo detergentes neutros. No utilice productos abrasivos, estropajos duros, disolventes ni objetos metálicos.
- No almacene sustancias explosivas tales como latas de aerosol con un propulsor inflamable en este aparato.
- Si el cable eléctrico sufre algún daño, el fabricante, su servicio técnico autorizado o un profesional cualificado tendrán que cambiarlo para evitar riesgos.

## 2. INSTRUCCIONES DE SEGURIDAD

### 2.1 Instalación



#### **ADVERTENCIA!**

Sólo un técnico cualificado puede instalar el aparato.

- Retire todo el embalaje.
- No instale ni utilice un aparato dañado.
- No utilice el aparato antes de instalarlo en la estructura empotrada por motivos de seguridad.
- Siga las instrucciones de instalación suministradas con el aparato.
- Tenga cuidado al mover el aparato, porque es pesado. Utilice siempre guantes de protección y calzado cerrado.
- Asegúrese de que el aire pueda circular alrededor del aparato.
- En la primera instalación otras invertir el sentido de apertura de la puerta, espere al menos 4 horas antes de conectar el aparato a la alimentación eléctrica. Esto es para permitir que el aceite regrese al compresor.
- Desenchufe siempre el aparato antes de llevar a cabo cualquier operación, por ejemplo cambiar el sentido de apertura de la puerta.
- No instale el aparato cerca de radiadores, cocinas, hornos o placas de cocción.
- No exponga el aparato a la lluvia.
- No instale el aparato donde reciba luz solar directa.
- No instale este aparato en áreas excesivamente húmedas o frías.
- Al mover el aparato, levántelo por el borde frontal para no arañar el suelo.
- El aparato contiene una bolsa de desecante. No se trata de un juguete. No es un alimento. No olvide desecharlo inmediatamente.

## 2.2 Conexión eléctrica



### ADVERTENCIA!

Riesgo de incendios y descargas eléctricas.



### ADVERTENCIA!

Al colocar el producto, asegúrese de que el cable de alimentación no queda atrapado o doblado.



### ADVERTENCIA!

No utilice adaptadores de enchufes múltiples ni cables prolongadores.

- El aparato debe conectarse a tierra.
- Asegúrese de que los parámetros de la placa de características son compatibles con los valores eléctricos del suministro eléctrico.
- Utilice siempre una toma con aislamiento de conexión a tierra correctamente instalada.
- Asegúrese de no provocar daños en los componentes eléctricos (como enchufe, cable de alimentación, compresor). Póngase en contacto con un electricista o con el servicio técnico autorizado para cambiar los componentes eléctricos.
- El cable de alimentación debe estar por debajo del nivel del enchufe de alimentación.
- Conecte el enchufe a la toma de corriente únicamente cuando haya terminado la instalación. Asegúrese de tener acceso al enchufe del suministro de red una vez finalizada la instalación.
- No desconecte el aparato tirando del cable de conexión a la red. Tire siempre del enchufe.

## 2.3 Uso del aparato



### ADVERTENCIA!

Existe riesgo de lesiones, quemaduras, descargas eléctricas o incendios.



El aparato contiene un gas inflamable, isobutano (R600a), un gas

natural con alto grado de compatibilidad medioambiental. Tenga cuidado para no dañar el circuito de refrigerante que contiene isobutano.

- No cambie las especificaciones de este aparato.
- No utilice otros aparatos eléctricos (como máquinas de hacer helados) dentro de aparatos de refrigeración, salvo que el fabricante haya autorizado su utilización.
- Si se daña el circuito del refrigerante, evite las llamas y fuentes de ignición en la habitación. Ventile la habitación.
- No toque con elementos calientes las piezas de plástico del aparato.
- No coloque bebidas con gas en el congelador. Se creará presión en el contenedor de la bebida.
- No almacene gas ni líquido inflamable en el aparato.
- No coloque productos inflamables ni objetos mojados con productos inflamables dentro, cerca o encima del aparato.
- No toque el compresor ni el condensador. Están calientes.
- No retire ni toque elementos del compartimento congelador con las manos húmedas o mojadas.
- No vuelva a congelar alimentos que se hayan descongelado.
- Siga las instrucciones del envase de los alimentos congelados.
- Envuelva los alimentos en cualquier material adecuado antes de ponerlos en el congelador.

## 2.4 Luz interna



### ADVERTENCIA!

Riesgo de descarga eléctrica.

- El tipo de luz utilizada para este aparato es específica para aparatos domésticos. No se debe utilizar para la iluminación doméstica.

## 2.5 Mantenimiento y limpieza



### ADVERTENCIA!

Podría sufrir lesiones o dañar el aparato.

- Antes de proceder con el mantenimiento, apague el aparato y desconecte el enchufe de la red.
- Este equipo contiene hidrocarburos en la unidad de refrigeración. Solo una persona cualificada debe realizar el mantenimiento y la recarga de la unidad.
- Examine periódicamente el desagüe del aparato y límpielo si fuera necesario. Si el desagüe se bloquea, el agua descongelada se acumulará en la base del aparato.

## 2.6 Asistencia

- Para reparar el aparato, póngase en contacto con el centro de servicio autorizado.
- Utilice solamente piezas de recambio originales.

## 2.7 Desecho



### ADVERTENCIA!

Existe riesgo de lesiones o asfixia.

# 3. INSTALACIÓN



### ADVERTENCIA!

Consulte los capítulos sobre seguridad.



### ADVERTENCIA!

Consulte el documento de instrucciones de instalación para instalar su aparato.



### ADVERTENCIA!

Fije el aparato de acuerdo con las instrucciones de instalación para evitar el riesgo de inestabilidad.

## 3.1 Ubicación

Para garantizar el mejor rendimiento, instale el aparato alejado de fuentes de calor, como radiadores, calderas, luz solar directa, etc. Asegúrese también de que el aire puede circular sin obstáculos por la parte trasera del aparato.

- Desconecte el aparato de la red.
- Corte el cable de conexión a la red y deséchelo.
- Retire la puerta para evitar que los niños y las mascotas queden encerrados en el aparato.
- El circuito del refrigerante y los materiales aislantes de este aparato no dañan la capa de ozono.
- La espuma aislante contiene gas inflamable. Póngase en contacto con las autoridades locales para saber cómo desechar correctamente el aparato.
- No dañe la parte de la unidad de refrigeración que está cerca del intercambiador de calor.

## 3.2 Colocación

Instale el aparato en un lugar interior seco y bien ventilado en el que la temperatura ambiente se corresponda con la clase climática indicada en la placa de características del aparato.

Clase climática	Temperatura ambiente
SN	+10°C a + 32°C
N	+16°C a + 32°C
ST	+16°C a + 38°C
T	+16°C a + 43°C

**i** Se puede producir algún problema de funcionamiento en algunos modelos cuando se usan fuera de ese rango. Solo se puede garantizar el correcto funcionamiento dentro del rango de temperatura especificado. Si tiene cualquier duda respecto al lugar de instalación del aparato, consulte al vendedor, a nuestro servicio de atención al cliente o al servicio técnico autorizado más cercano.

### 3.3 Conexión eléctrica

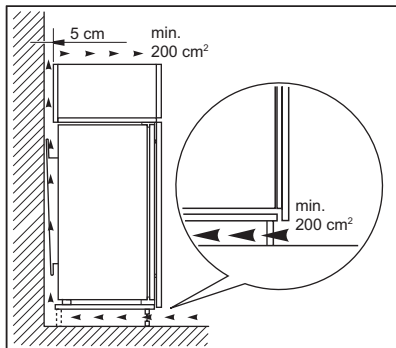
- Antes de conectar el aparato, compruebe que el voltaje y la frecuencia indicados en la placa de datos técnicos se corresponden con el suministro de la vivienda.
- El aparato debe conectarse a tierra. El enchufe del cable de alimentación se suministra con un contacto para tal fin. Si la toma de red de la vivienda carece de conexión a tierra, conecte el aparato a una toma de tierra conforme con la normativa, después

de consultar a un electricista profesional

- El fabricante declina toda responsabilidad si no se toman las precauciones antes indicadas.
- Este aparato cumple las directivas CEE.

### 3.4 Requisitos de ventilación

El aire debe poder circular libremente por la parte posterior del aparato.

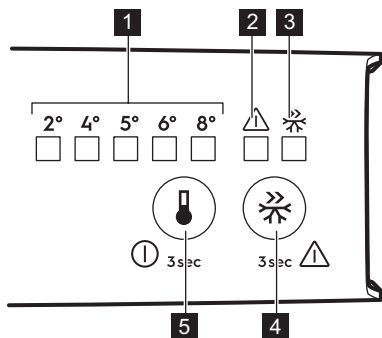


#### PRECAUCIÓN!

Consulte las instrucciones de montaje para la instalación.

## 4. FUNCIONAMIENTO

### 4.1 Panel de mandos



- 1 Indicador LED de temperatura
- 2 Indicador LED de alarma del congelador
- 3 Indicador LED Frostmatic
- 4 Botón Frostmatic  
Botón de restablecimiento de alarma
- 5 Regulador de temperatura  
Botón de encendido/apagado

## 4.2 Encendido

1. Introduzca el enchufe en la toma de pared.
2. Toque el botón del regulador de temperatura si todos los LED están apagados.

## 4.3 Apagado

Siga tocando el botón del regulador de temperatura durante 3 segundos. Todos los indicadores se apagan.

## 4.4 Regulación de la temperatura

Para utilizar el aparato, toque el regulador de temperatura hasta que se encienda el LED correspondiente a la temperatura que desea. La selección es progresiva y oscila de 2°C a 8°C.



Ajuste más frío: +2°C.  
Ajuste más alto: +8°C.  
Lo más idóneo es ajustar la temperatura en una posición intermedia.

El ajuste debe elegirse teniendo en cuenta que la temperatura interior del aparato depende de:

- temperatura ambiente
  - frecuencia de apertura de la puerta
  - cantidad de alimentos guardados
  - ubicación del aparato.
1. Toque el regulador de temperatura. El indicador de temperatura actual parpadea. Cada vez que se toca el regulador de temperatura, el ajuste se mueve una posición. El LED parpadea un momento.
  2. Toque el regulador de temperatura hasta que se seleccione la temperatura deseada.

## 4.5 Función Frostmatic

Para activar la función Frostmatic basta con pulsar el botón Frostmatic.

El LED correspondiente al indicador del símbolo Frostmatic se enciende.

Para desactivar la función Frostmatic basta con pulsar el botón Frostmatic de nuevo.

Se apaga el indicador Frostmatic.



La función se detiene automáticamente después de 52 horas.

## 4.6 Alarma de temperatura alta

Al poner en marcha el aparato por primera vez o después de un aumento de la temperatura del compartimento congelador (por ejemplo, debido a un corte del suministro eléctrico), el indicador de alarma del congelador comienza a parpadear. Cuando se recuperan las condiciones normales se apaga el indicador de alarma del congelador.

Para restablecer manualmente la alarma del congelador, mantenga pulsada la tecla Frostmatic durante 3 segundos.



Si la alarma del congelador está activada, es necesario restablecerla antes de realizar cualquier otra operación. Tras restablecerla, cuando se recuperan las condiciones normales el indicador de alarma del congelador se mantiene fijo.

# 5. USO DIARIO



### ADVERTENCIA!

Consulte los capítulos sobre seguridad.

## 5.1 Limpieza del interior

Antes de utilizar el aparato por primera vez, lave su interior y todos los accesorios internos con agua templada y jabón neutro para eliminar el típico olor de los productos nuevos. A continuación, seque todo bien.



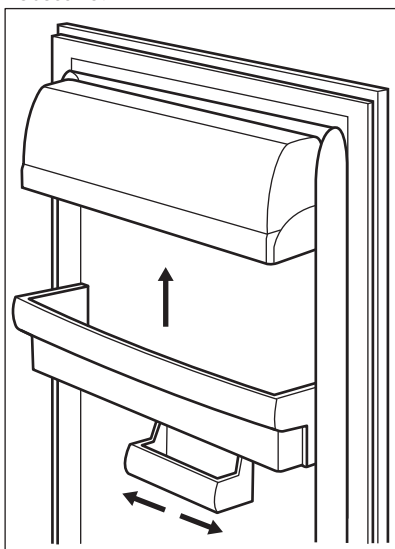
**PRECAUCIÓN!**

No utilice detergentes, polvos abrasivos ni limpiadores a base de cloro o aceite, ya que podrían dañar el acabado.

**5.2 Colocación de los estantes de la puerta**

Para poder guardar alimentos de distintos tamaños, los estantes de la puerta se pueden colocar a diferentes alturas.

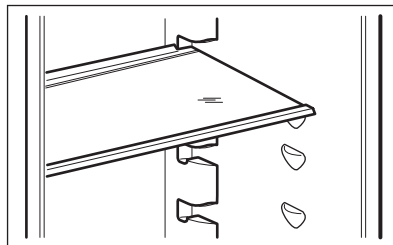
1. Tire gradualmente del estante hacia arriba hasta que se suelte.
2. Vuelva a colocarlo según sea necesario.



Este modelo cuenta con una caja de almacenamiento variable que se puede deslizar lateralmente.

**5.3 Estantes móviles**

Las paredes del frigorífico cuentan con una serie de guías para colocar los estantes del modo que se prefiera.



No coloque el estante de vidrio por encima del cajón de verduras para no impedir la correcta circulación del aire.

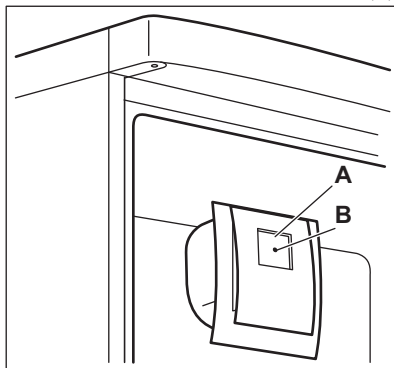
**5.4 Función DYNAMICAIR**

La función DYNAMICAIR permite enfriar los alimentos con rapidez y mantener una temperatura más uniforme dentro del compartimento.



Active DYNAMICAIR cuando la temperatura ambiente supere los 25°C.

Pulse el interruptor (A) para encender el ventilador. Se enciende la luz verde (B).



Cuando apague el aparato, recuerde apagar el ventilador pulsando la tecla (A). Se apaga la luz verde (B).

## 5.5 Congelación y almacenamiento de alimentos congelados

El compartimento del congelador es adecuado para congelar alimentos frescos y conservar a largo plazo los alimentos congelados y ultracongelados.

Al poner en marcha el aparato por primera vez o después de un periodo sin uso, déjelo en marcha al menos durante 2 horas con la función Frostmatic encendida antes de colocar productos en el compartimento. Para congelar alimentos frescos, active la función Frostmatic al menos 24 horas antes de introducir los alimentos en el compartimento congelador.

Para congelar alimentos, colóquelos en el el compartimento central.

La cantidad máxima de alimentos que puede congelarse en 24 horas se indica en la **placa de características**, una etiqueta situada en el interior del aparato.

El proceso de congelación dura 24 horas, durante ese tiempo no deben añadirse otros alimentos para congelar.

En caso de producirse una descongelación accidental, por ejemplo, por un corte del suministro eléctrico, y si la interrupción ha sido más prolongada que el valor indicado en el campo

"tiempo de elevación" de la tabla de características técnicas, será necesario consumir cuanto antes los alimentos descongelados o cocinarlos de inmediato y congelarlos de nuevo (después de que se hayan enfriado).

## 5.6 Descongelación

Los alimentos ultracongelados o congelados, antes de utilizarlos, se pueden descongelar en el compartimento frigorífico o a temperatura ambiente, dependiendo del tiempo de que se disponga.

Es posible incluso cocinar piezas pequeñas congeladas, tomadas directamente del congelador: en tal caso, el tiempo de cocción será más prolongado.

## 5.7 Producción de cubitos de hielo

Este aparato cuenta con una o varias bandejas para la producción de cubitos de hielo.



No utilice instrumentos metálicos para retirar las bandejas del congelador.

1. Rellene estas bandejas con agua.
2. Ponga las bandejas de hielo en el compartimento del congelador.

## 6. CONSEJOS

### 6.1 Sonidos de funcionamiento normal

Los ruidos siguientes son normales durante el funcionamiento:

- Un gorgoteo y burbujeo débil desde el serpentín cuando se bombea el refrigerante.
- Un zumbido o sonido intermitente desde el compresor cuando se bombea el refrigerante.
- Un chasquido repentino desde el interior del aparato debido a la dilatación térmica (un fenómeno físico natural no peligroso).

- Un chasquido débil desde el regulador de temperatura cuando se activa o desactiva el compresor.

### 6.2 Consejos para ahorrar energía

- El modo Eco / ajuste predeterminado preserva los alimentos frescos y congelados, y a la vez ahorra energía.
- Compartimento de alimentos frescos (frigorífico): Se garantiza el consumo más eficiente de energía en la configuración con los cajones en la parte inferior del aparato y los estantes distribuidos uniformemente. La posición de los contenedores de la



puerta no afecta al consumo de energía.

- Compartimiento para congelados (congelador): La configuración interna del aparato es la que garantiza el uso más eficiente de la energía.
- Si la temperatura ambiente es alta, se ha ajustado un valor de temperatura bajo y el aparato está totalmente lleno, el compresor podría funcionar sin detenerse y generar escarcha o hielo en el evaporador. En este caso, ajuste el control a una temperatura más alta para permitir la descongelación automática y ahorrar energía de esta manera.
- No abra la puerta con frecuencia ni la deje abierta más tiempo del estrictamente necesario.

### 6.3 Consejos para la refrigeración de alimentos frescos

- No guarde en el frigorífico alimentos calientes ni líquidos en evaporación.
- Cubra o envuelva los alimentos, en especial si tienen sabores fuertes.
- Coloque los alimentos de modo que el aire pueda circular libremente entre ellos.

### 6.4 Consejos para la refrigeración

Consejos útiles:

- Carne (de todo tipo): guárdela en un envoltorio adecuado y colóquela en el estante de vidrio, sobre el cajón de las verduras. Almacene la carne durante un máximo de 1-2 días.
- Alimentos cocinados, platos fríos: cubra y coloque en cualquier instante.
- Frutas y verduras: limpie a fondo y coloque en un cajón especial. No guarde en el frigorífico productos como plátanos, patatas, cebollas y ajos, a menos que estén empacutados.
- Mantequilla y queso: coloque en un recipiente hermético especial o envuelva o bolsas de polietileno para eliminar todo el aire posible.

- Botellas: cierre con un tapón y colóquelas en el estante para botellas de la puerta de la puerta o en el botellero (si dispone de él).

### 6.5 Consejos sobre la congelación

- Congele solo alimentos de máxima calidad, frescos y perfectamente limpios.
- Para congelar y descongelar con más eficacia, divida la comida en porciones pequeñas.
- Envuelva los alimentos en aluminio o polietileno. Asegúrese de que los envases sean herméticos.
- Para evitar aumentos en la temperatura de comida ya congelada, no coloque comida no congelada justo al lado.
- Los alimentos magros se congelan mejor que los grasos. La sal reduce el tiempo de almacenamiento de los alimentos.
- No coma cubitos de hielo, sorbetes o helados inmediatamente después de sacarlos del congelador. Existe riesgo de quemaduras.
- Se recomienda etiquetar cada paquete con la fecha de congelación para controlar el tiempo de almacenamiento.

### 6.6 Consejos para el almacenamiento de alimentos congelados

- Comprobar que el comerciante ha mantenido los productos congelados correctamente almacenados.
- Procurar que los alimentos congelados pasen de la tienda al congelador en el menor tiempo posible.
- los alimentos descongelados se deterioran con rapidez y no pueden congelarse de nuevo.
- No supere el tiempo de almacenamiento indicado por el fabricante de los alimentos.

## 7. MANTENIMIENTO Y LIMPIEZA



### ADVERTENCIA!

Consulte los capítulos sobre seguridad.

### 7.1 Advertencias generales



### PRECAUCIÓN!

Antes de realizar tareas de mantenimiento, desenchufe el aparato



Este aparato contiene hidrocarburos en la unidad de refrigeración por lo que cualquier tarea de mantenimiento o recarga debe ser realizada por personal técnico homologado.



Los accesorios y las piezas del aparato no deben lavarse en el lavavajillas.

### 7.2 Limpieza periódica



### PRECAUCIÓN!

No mueva, dañe ni tire de los conductos o cables del interior del aparato.



### PRECAUCIÓN!

No dañe el sistema de refrigeración.

El equipo debe limpiarse de forma regular:

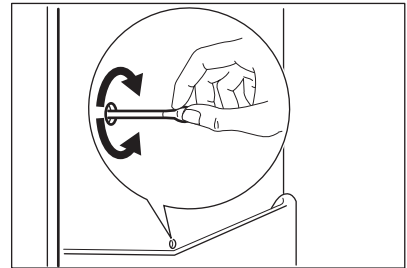
1. Limpie el interior y los accesorios con agua templada y un jabón neutro.
2. Revise y limpie periódicamente las juntas de la puerta para mantenerlas limpias y sin restos.
3. Aclare y seque a fondo.
4. Si se puede acceder, limpie el condensador y el compresor de la parte posterior del aparato con un cepillo.

Así mejorará el rendimiento del aparato y reducirá el consumo eléctrico.

### 7.3 Descongelación del frigorífico

La escarcha se elimina automáticamente del evaporador del frigorífico cada vez que se detiene el compresor, durante el funcionamiento normal. El agua de la descongelación se descarga por un canal hacia un recipiente especial situado en la parte posterior del aparato, sobre el motor compresor, desde donde se evapora.

Es importante limpiar periódicamente el orificio de salida del agua de descongelación situado en la mitad del canal del compartimento frigorífico para evitar que el agua se desborde y caiga sobre los alimentos del interior.



### 7.4 Descongelación del congelador



### PRECAUCIÓN!

No utilice herramientas metálicas afiladas para raspar la escarcha del evaporador, ya que podría dañarlo.

No utilice dispositivos mecánicos ni medios artificiales para acelerar el proceso de descongelación, excepto los recomendados por el fabricante.



Unas 12 horas antes de realizar la descongelación, ajuste una temperatura más baja con el fin de acumular frío suficiente en caso de una interrupción del funcionamiento.

Siempre se forma un poco de escarcha en los estantes del congelador y en torno al compartimento superior.

Descongele el congelador cuando la capa de escarcha alcance un grosor de unos 3-5 mm.

1. Apague el aparato o desconecte el enchufe de la toma de corriente.
2. Retire los alimentos congelados, envuélvalos en varias hojas de papel de periódico y colóquelos en un sitio fresco.



#### **PRECAUCIÓN!**

El aumento de la temperatura de los paquetes de alimentos congelados durante la descongelación puede acortar su tiempo de almacenamiento. No toque los alimentos congelados con las manos mojadas. Podrían congelarse al contacto con los alimentos.

3. Deje la puerta abierta. Proteja el suelo del agua de la descongelación p. ej., con un paño o recipiente plano.
4. Para acelerar el proceso de descongelación, coloque un recipiente con agua tibia en el

compartimento congelador. Además, retire los trozos de hielo que se desprendan antes de que finalice la descongelación.

5. Cuando la descongelación haya terminado, seque a fondo el interior del aparato. .
6. Encienda el aparato y cierre la puerta.
7. Ajuste el regulador de temperatura para obtener el máximo frío y haga funcionar el aparato durante dos o tres horas con dicho ajuste.

Solo después de este tiempo vuelva a poner la comida en el congelador.

## 7.5 Periodos de inactividad

Si el aparato no se utiliza durante un tiempo prolongado, tome las siguientes precauciones:

1. Desconecte el aparato de la red eléctrica.
2. Extraiga todos los alimentos.
3. Descongele el aparato (si es necesario).
4. Limpie el aparato y todos los accesorios.
5. Deje la puerta o puertas abiertas para que no se produzcan olores desagradables.



#### **PRECAUCIÓN!**

Si desea mantener el aparato encendido, procure que alguien lo vigile de vez en cuando para que los alimentos de su interior no se estropeen si se interrumpe el suministro eléctrico.

## 8. SOLUCIÓN DE PROBLEMAS



#### **ADVERTENCIA!**

Consulte los capítulos sobre seguridad.

## 8.1 Qué hacer si...

Problema	Posible causa	Solución
El aparato no funciona.	El aparato está apagado.	Encienda el electrodoméstico.
	El aparato no está correctamente enchufado a la toma de corriente.	Enchufe el aparato correctamente a la toma de corriente.
	No hay tensión en la toma de corriente.	Enchufe un aparato eléctrico diferente a la toma de corriente. Llame a un electricista cualificado.
La alarma audible o visual está activada.	El aparato se ha conectado recientemente o la temperatura es demasiado alta.	Consulte la sección "Alarma de temperatura alta".
	La temperatura del aparato es demasiado alta.	Llame a un electricista homologado o póngase en contacto con el centro de servicio técnico autorizado más cercano.
La bombilla no funciona.	La bombilla está en espera.	Cierre y abra la puerta.
	La bombilla es defectuosa.	Póngase en contacto con el servicio técnico autorizado más cercano.
El compresor funciona continuamente.	La temperatura está ajustada incorrectamente.	Consulte "Funcionamiento".
	Se han guardado muchos alimentos al mismo tiempo.	Espere unas horas y vuelva a comprobar la temperatura.
	La temperatura ambiente es demasiado alta.	Consulte la tabla de clase climática en la placa de características.
	Los alimentos introducidos en el aparato estaban demasiado calientes.	Deje que los alimentos se enfríen a temperatura ambiente antes de almacenarlos.
	La puerta no está bien cerrada.	Consulte la sección "Cierre de la puerta".
	La "Función Frostmatic" está activada.	Consulte "Función Frostmatic".
Hay demasiada escarcha o hielo.	La puerta no se ha cerrado correctamente o la junta está deformada/sucia.	Consulte la sección "Cierre de la puerta".

Problema	Posible causa	Solución
	El tapón de drenaje del agua no está bien colocado.	Coloque el tapón de drenaje en la forma correcta.
	El aparato está completamente cargado y ajustado a la temperatura más baja.	Seleccione una temperatura más alta. Consulte "Funcionamiento".
	La temperatura ajustada en el aparato es demasiado baja y la temperatura ambiente demasiado alta.	Seleccione una temperatura más alta. Consulte "Funcionamiento".
	La temperatura está ajustada incorrectamente.	Consulte "Funcionamiento".
El compresor no se pone en marcha inmediatamente después de pulsar "Frostmatic", o tras cambiar la temperatura.	Esto es normal y no significa que exista un error.	El compresor se pone en marcha después de un cierto tiempo.
El agua fluye por la placa posterior del frigorífico.	Durante el proceso de descongelación automática, la escarcha se derrite en la placa posterior.	Esto es correcto.
El agua fluye por el interior del frigorífico.	Los productos impiden que el agua fluya al colector de agua.	Asegúrese de que los alimentos no entran en contacto con la placa posterior.
	La salida de agua está obstruida.	Limpie la salida de agua.
Hay agua en el suelo.	La salida de agua de la descongelación no está conectada a la bandeja de evaporación situada sobre el compresor.	Fije la salida de agua de descongelación a la bandeja de evaporación.
No es posible ajustar la temperatura.	La "Función Frostmatic" está activada.	Apague manualmente la "Función Frostmatic", o espere hasta que la función se restablezca automáticamente antes de ajustar la temperatura. Consulte "Función Frostmatic".
La temperatura del aparato es demasiado baja/alta.	El regulador de temperatura no se ha ajustado correctamente.	Seleccione una temperatura más alta o baja.

Problema	Posible causa	Solución
	La puerta no está bien cerrada.	Consulte la sección "Cierre de la puerta".
	La temperatura de los productos es demasiado alta.	Deje que la temperatura de los productos descienda a la temperatura ambiente antes de guardarlos.
	Se han guardado muchos alimentos al mismo tiempo.	Añada menos productos al mismo tiempo.
	El grosor de la escarcha es de más de 4-5 mm.	Descongele el aparato.
	La puerta se ha abierto con frecuencia.	Si es necesario, cierre la puerta.
	La "Función Frostmatic" está activada.	Consulte "Función Frostmatic".
	No hay circulación de aire frío en el aparato.	Compruebe que el aire frío circula libremente en el aparato.
Todos los LED de ajuste de temperatura parpadean al mismo tiempo.	Se ha producido un error en la medición de la temperatura.	Póngase en contacto con el servicio técnico autorizado más cercano. El sistema de refrigeración seguirá manteniendo fríos los alimentos, pero no podrá ajustar la temperatura.



Si el consejo anterior no ofrece resultados, llame al servicio técnico autorizado más cercano.

## 8.2 Cambio de la bombilla

El aparato está equipado con una luz LED interior de larga duración.

El dispositivo de iluminación solo debe ser sustituido por el servicio técnico.

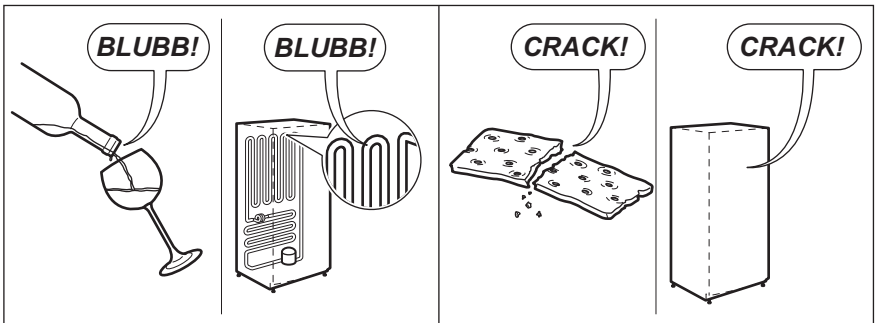
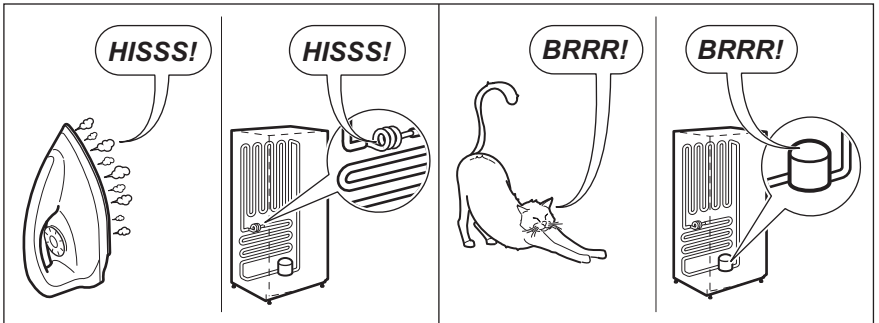
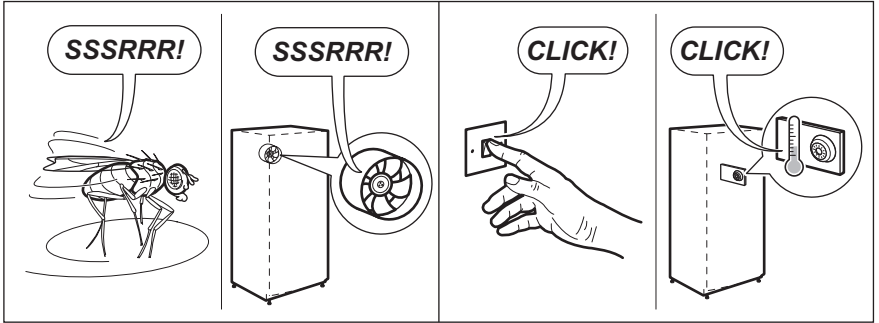
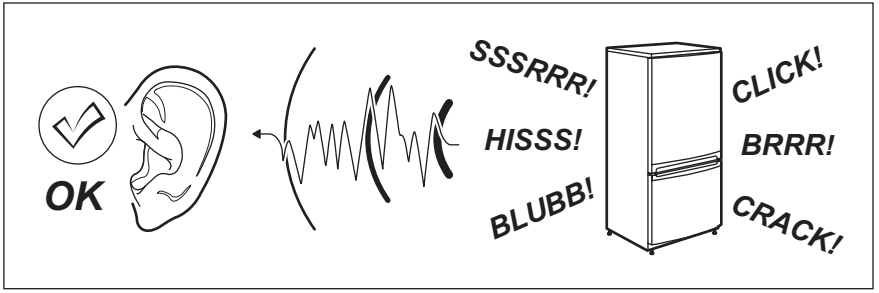
Póngase en contacto con el servicio técnico.

## 8.3 Cierre de la puerta

1. Limpie las juntas de la puerta.
2. Si es necesario, ajuste la puerta. Consulte las instrucciones de montaje.
3. Si es necesario, cambie las juntas defectuosas. Póngase en contacto con el servicio técnico autorizado.

## 9. RUIDOS

Durante el funcionamiento normal del aparato suelen producirse ciertos ruidos (compresor, circulación del refrigerante).



## 10. DATOS TÉCNICOS

### 10.1 Ficha de información del producto

Marca registrada	AEG
Modelo	SCB61921FS 925560002
Categoría	7. Frigorífico-Congelador
Clase de eficiencia energética	A++
Consumo de energía en kWh/año, según los resultados obtenidos en la prueba estándar de 24 horas. El consumo de energía real depende de las condiciones de uso del aparato y de su localización	235
Volumen útil en litros, refrigerador	213
Volumen útil en litros, estrellas	-
Volumen útil en litros, zona de bodega	-
Volumen útil en litros, vino	-
Volumen útil en litros, total	285
Volumen útil en litros, congelador	72
Volumen útil en litros, enfriador	-
Volumen útil en litros, otros compartimentos	-
Clasificación por estrellas del compartimento del congelador con el volumen útil más alto (l)	****
Temperatura de diseño de otros compartimentos > 14 °C (°C), si acaso	-
Libre de escarcha (S/N), refrigerador	No
Libre de escarcha (S/N), congelador	No
Autonomía en h	21
Capacidad de congelación en kg/24h	12
Clase climática	SN-N-ST-T
Temperatura mínima ambiente a la que este aparato está destinado a ser utilizado, en °C	10
Temperatura máxima ambiente a la que este aparato está destinado a ser utilizado, en °C	43
Emissiones de ruido acústico dB(A) re1 pW	36
Aparato encastrado S/N	Sí
Aparato destinado a utilizarse exclusivamente para la conservación de vinos S/N	No




## 10.2 Datos técnicos adicionales


Medidas del hueco	
Alto	1894 mm
Ancho	560 mm

Fondo	550 mm
Voltaje	230 - 240 V
Frecuencia	50 Hz

La información técnica se encuentra en la placa de datos técnicos situada en el lado exterior o interior del aparato, y en la etiqueta de consumo energético.

## 11. ASPECTOS MEDIOAMBIENTALES

Recicle los materiales con el símbolo . Coloque el material de embalaje en los contenedores adecuados para su reciclaje. Ayude a proteger el medio ambiente y la salud pública, así como a reciclar residuos de aparatos eléctricos y

electrónicos. No deseche los aparatos marcados con el símbolo  junto con los residuos domésticos. Lleve el producto a su centro de reciclaje local o póngase en contacto con su oficina municipal.





[www.aeg.com/shop](http://www.aeg.com/shop)



222377421-A-472019



**AEG**