



Energy-efficient appliance. Benefits you and the environment

This energy-efficient appliance is optimised to consume less energy. Helping you to reduce your carbon footprint and be kind to the environment.

Product Benefits & Features

Freeze food perfectly

Thanks to the 4-star freezer compartment inside this refrigerator, you can freeze even fresh food quickly and safely.



- 880 mm built-in height
- Freezing compartment type: 4 Star
- Moveable feature door
- Mechanical temperature control
- Automatic defrosting of the cooling compartment
- Refrigerator shelves: 2 Full Width, Glass with Trim
- Refrigerator drawer(s): 1 Full Width
- Egg tray: 2 for 6 eggs
- Door hinges placement: Right & Reversible

Safe storage for heavy items at every level of your fridge

This refrigerator has shelves of robust safety glass, which can safely support even the heaviest items.



Slide and store – the perfect place in the fridge for storing small items

Keep your small items close to hand. This refrigerator provides optimum storage conditions for small items thanks to a specially designed in-door sliding shelf that hangs from the shelf above. And because the shelf slides both left and right, you still have space to place taller items on the shelf



An ideal place for fresher, more flavoursome dairy products

Storing your dairy products in this refrigerator's specially designed closed container will help you keep them fresh and preserve their delicate flavours.

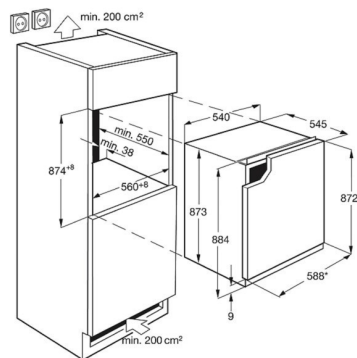
Intelligent design for simple, effective cleaning

The interior of this refrigerator has specially rounded corners to make cleaning it fast, simple and effective.

Product Specification

Product Number Code	933 018 055	Weight gross cleaner and accessories with packaging	31.3
Bar code	7332543505074	Weight net cleaner and accessories no packaging	29.75
ELNE20	F	Package heigth	935
YearEConsE20	178	Package width	625
TotVolE20	124	Package depth	630
TotVolUnFrE20	110		
TotVolFrE20	14		
NoiseCE20	C		
NoiseIECE20	38		
RisTE20	9.5		
ClimE20	SN-N-ST-T		
Number and type of egg trays	2 for 6 eggs		
Height total	873		
Width mm	540		
Depth mm	549		
Built in height mm	880		
Built in width mm	560		
Built in depth mm	550		
Main colour	White		
Connected load (W)	80		
Voltage	230		
Required fuse (A)	10		
Frequency	50		
Cord length external	2.4		

PSAARE070D000003



* Türabmessungen (ohne Griff)